

K-Smartscraper® Primary Belt Cleaner



The **K-Smartscraper® Belt Cleaner** is a new and highly effective concept in belt cleaning. It is lightweight in construction (weighing only 9kg) and is a high-performance alternative to conventional tungsten carbide blade style belt cleaners.

The cleaning edge of the K-Smartscraper® is made up of a series of high quality, abrasion resistant, ceramic tips. Hardness is a good indicator of a material's ability to withstand wear and abrasion. Ceramics composed with high Alumina content (92%), achieve the hardness of approximately 9 on the MOHS scale (diamond = 10).

The ceramic tips are angled to clean the conveyor belt closely and efficiently, even if the belt is worn in the centre, or a crowned pulley is used to drive the belt. Any potential for gaps increasing between the belt and the tips is minimised by the K-Smartscraper® spring-tensioned mounting system.

The simplicity of the design of the K-Smartscraper® makes it easy for installation as well as easy to maintain. It is suitable for wet, powdery, sticky and high temperature materials including iron ore, limestone, coal, sinter, quarried products, clay, fertiliser and clinker.

Mounting options include cross-type (standard), v-type and paired. Suitable for all belt widths.

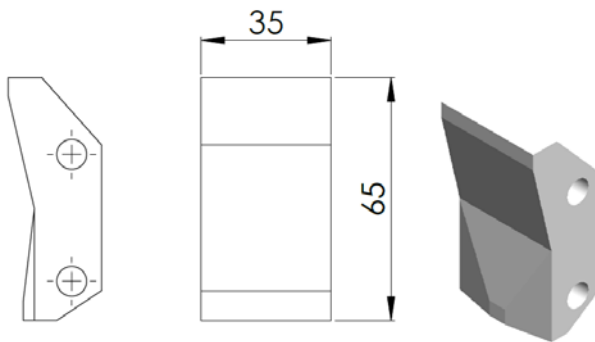


Image above showing 2 x K-Smartscraper®, a paired installation, sold separately.

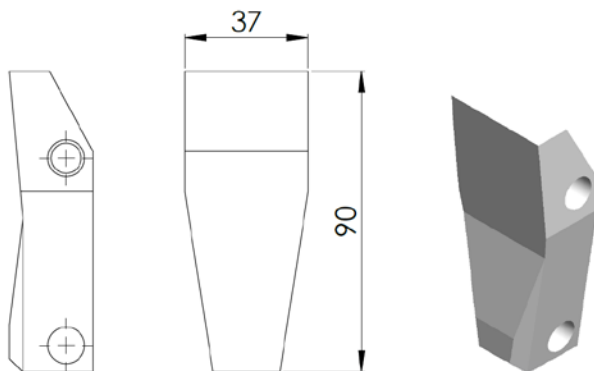
K-Smartscraper® Primary Belt Cleaner

The key benefits of this Ceramic Tip Primary Belt Cleaner are:

- Mounts at the head drum, achieving a cleaning performance efficiency level of up to 90% removal of all carryback within the material flow.
- Reduces conveyor mistracking and structural damage potential.
- Improves productivity levels.
- Removes labour safety hazard as minimises accumulation of fugitive material around the conveyor structure and surrounds.
- Self-adjusting spring-tensioned diagonal mount maintains consistent low contact pressure against the conveyor belt.
- Requires less ongoing adjustment maintenance.
- Simple to mount, utilises wire construction. Mounting requires less labour and less downtime.



S TYPE CERAMIC CHIP



HD TYPE CERAMIC CHIP
RECOMMENDED FOR 1600BW+
SUITABLE FOR LARGER Ø8MM WIRE ROPE

The K-Smartscraper® is not suitable for use on reversing conveyors, conveyor belts with mechanical fasteners or metal clips.

The K-Smartscraper® is not suitable for head pulley DIA's equal to or less than 449mm, (including lagging)

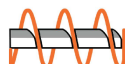
+61 8 6314 1100
support@inquip.com.au
inquip.com.au
22 Beneficial Way, Wangara WA 6065

INQUIP[®]
BULK MATERIAL
& DUST HANDLING
PRODUCT » DENSITY » FLOW

inquip.com.au



Bulk Material
Handling



Conveyors,
Skirting & Tracking



Vibration
& Fluidisation



Engineered
Solutions