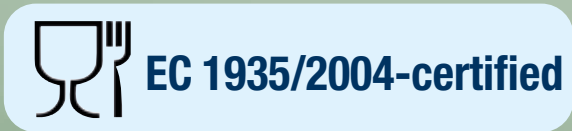


Spring-loaded Pressure Relief Valves

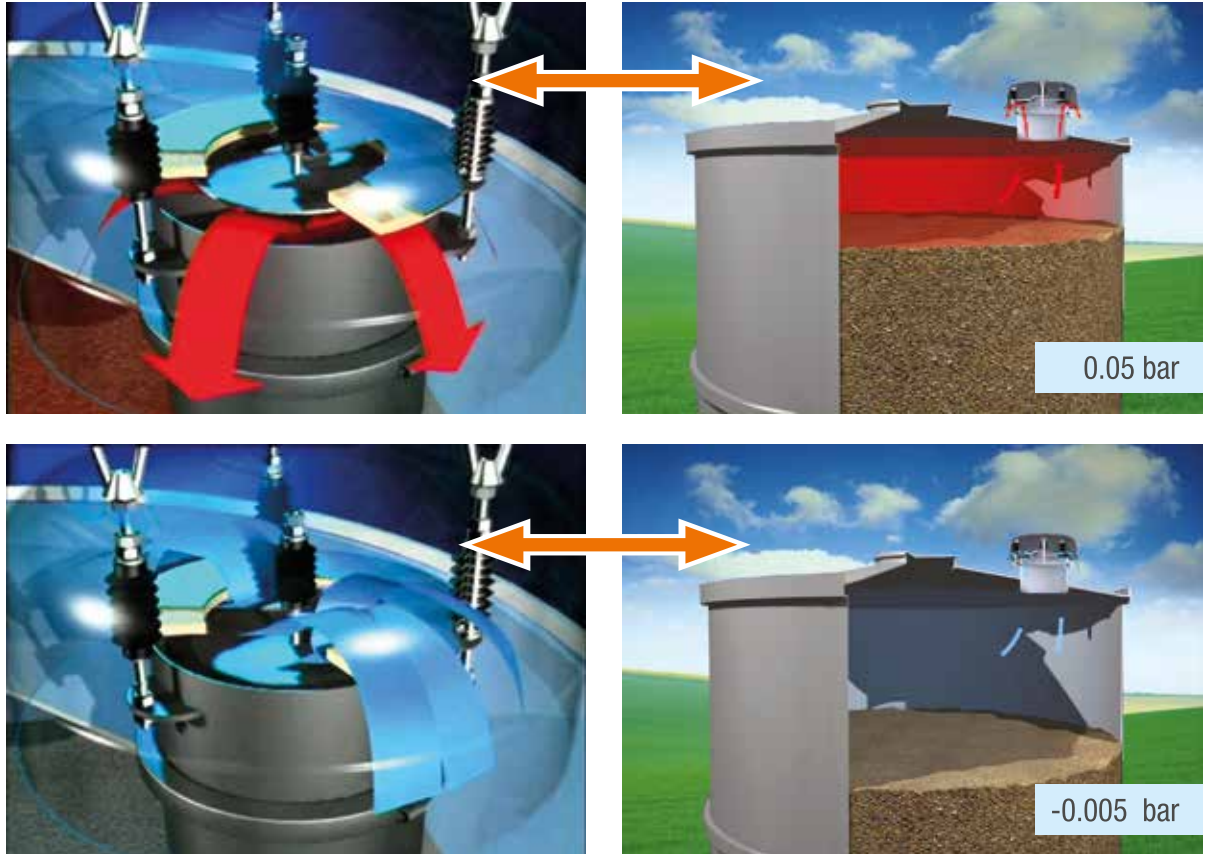
VCP



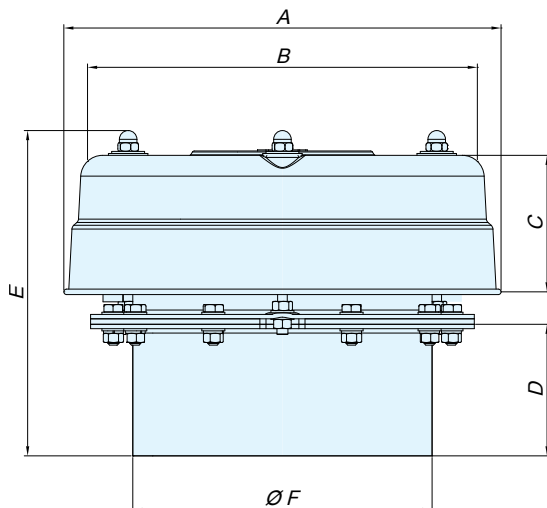
THE ULTIMATE SILO SAFEGUARD

VCP Pressure Relief Valves are the last resort when abnormal pressure conditions endanger the silo structure. This is why sudden excess or suction pressure inside the silo must be dealt with instantaneously. Even though a Pressure Relief Valve should ideally never have to come into action, it must work efficiently and reliably when needed.

Hundreds of thousands of VCP Pressure Relief Valves in use worldwide are proof of absolute reliability under a wide range of conditions. For applications in the food industry, a version in accordance with European Regulation (EC) No. 1935/2004 is available.



Overall Dimensions



	SIZE 273 mm	SIZE 375 mm
A	400	525
B	356	468
C	125	175
D	120	120
E	325	400
Ø F	273	356
kg	9.5	23.0

Factory setting	Excess Pressure	Negative Pressure
	500 mm H ₂ O	-50 mm H ₂ O*

Benefits



Lightweight and compact overall dimensions



Time-saving maintenance



Easy to fit



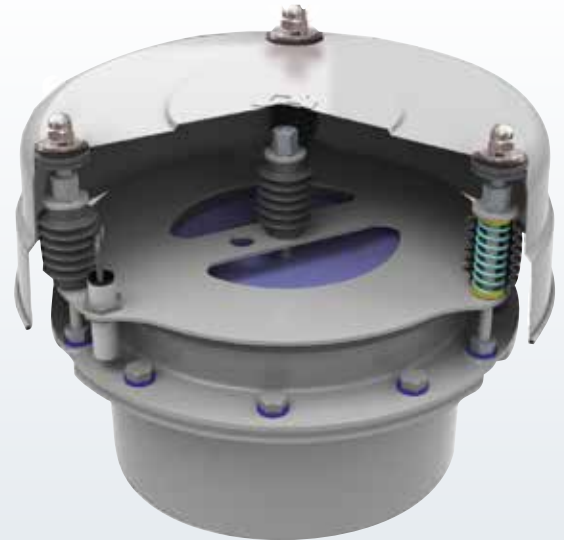
Short delivery time



Technical support and worldwide availability of spare parts thanks to the WAMGROUP® subsidiary network

Technical Features

- Two sizes available
- Flow rate: up to 13,000 Nm³/h (7,650 cfm)
- Painted mild-steel or 304 stainless-steel casing
- Stainless-steel weather protection cover
- Mechanical set-up for inductive signalling sensor
- Preset for maximum negative pressure of -0.005 bar (-0.07 psi) and maximum excess pressure of 0.05 bar (0.72 psi)



Industries



Animal Feed Milling



Plastics Processing



Dry-Mix Processing



Food Processing



Flour Milling



Cosmetics



Detergents Processing



Chemicals



Ceramics



Glass Processing

Options

- ATEX-certified version
- Compliance with European Regulation (EC) No. 1935/2004
- Different settings
- Inspection hatch
- Inductive sensors
- Bird net

Application



DISTRIBUTED BY



INQUIP
BULK MATERIAL
& DUST HANDLING
PRODUCT » DENSITY » FLOW

SERVICE & SUPPORT

Wangara, WA +61 8 9413 1100
support@inquip.com.au
inquip.com.au



203001744 April 2021 Rights reserved to modify technical specifications.

This brochure has been edited for distribution in European Union countries.



www.wamgroup.com