

FLOW INTERCEPTION

DISTRIBUTED BY
INQUIP
BULK MATERIAL
& DUST HANDLING
PRODUCT • DENSITY • FLOW



SERVICE & SUPPORT

Wangara, WA +61 8 9413 1100
support@inquip.com.au
inquip.com.au

Fit-Frame Butterfly Valves

VFP



EC 1935/2004-certified



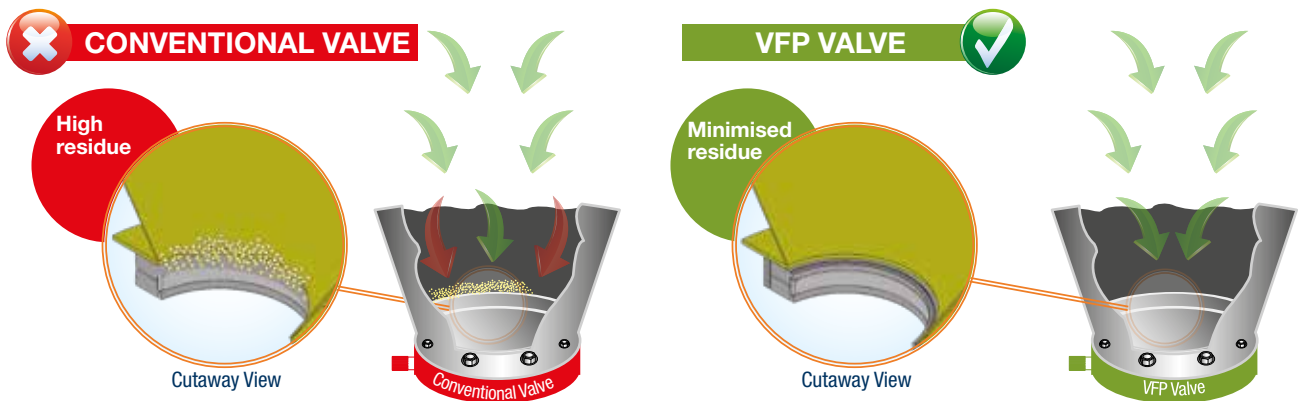
WAM VALVES

OPTIMISED MASS FLOW, NO CONTAMINATION, EASY HANDLING, EC 1935/2004-CERTIFIED

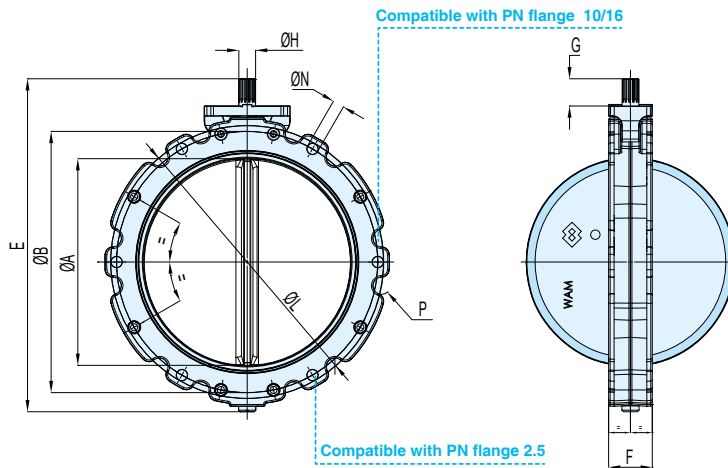
VFP/VFPX Fit-Frame Butterfly Valves can be fitted beneath hoppers, bins, silos, screw or other type conveyors, or to intercept pneumatic conveying ducts. Due to their special design, material residue between valve and downstream feeding device is drastically reduced. This valve range is compliant with Regulation (EC) No. 1935/2004 on materials and articles intended to come into contact with food.

Due to the materials used, Fit-Frame Butterfly Valves are a particularly economical and at the same time the most efficient solution in all those process areas where contamination and material pollution represent a critical point.

Fit-Frame: the better choice!



Overall Dimensions



CODE	Ø A	Ø B	E	F	G	Ø H DIN 5482	Ø N DRILLINGS		P EXTERNAL INDENTS Qty	Ø L	kg
							mm	Qty			
100	110	170	255	56	35	22 X 19	14	4	4	180	3.0
125	136	200	285	56	35	22 X 19	14	4	4	210	4.0
150	164	225	313	56	35	22 X 19	14	4	4	240	4.5
175	190	250	336	56	35	22 X 19	14	4	4	270	5.0
200	213	280	371	56	35	22 X 19	14	4	4	295	6.0
250	267	335	427	56	35	22 X 19	14	6	12	350	8.0
300	318	395	487	56	35	22 X 19	14	6	12	400	10.0
350*	377	445	556	68	50	28 X 25	14	6	8	460	16.0
400*	426	495	607	68	50	28 X 25	14	8	12	515	19.0

Compatible with ANSI B16.5.150. - VFP1 single-flange type available

* Not compatible with PN and ANSI

Available integral seal for food applications
Dimensions in mm

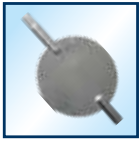
Benefits



Minimum contamination thanks to “FIT-FRAME”



Lightweight easy to handle thanks to lowest possible overall height



Highly abrasion-resistant interchangeable discs



Delivery from stock of WAMGROUP® subsidiaries worldwide



Easy to fit due to PN and ANSI flange compatibility



Simple, time-saving maintenance thanks to few components



Technical support and worldwide availability of spare parts thanks to the WAMGROUP® subsidiary network

Technical Features

- VFP2 with identical top and bottom flange (VFP1 featuring top flange only)
- Pressure-proof up to 0.6 bar (8.7 PSI)
- High-pressure die-cast aluminium-alloy semi bodies
- Disc in mild steel, SINT® engineering polymer or stainless steel
- Gaskets for standard or food-grade application
- Compatible with PN flanges (2.5/6 and 10/16 external indents)

- OR groove on flange
- Low overall height
- ATEX zone 20 internal and zone 22 external certification
- Food-grade components manufactured from FDA and EC 1935/2004-certified materials



1 Swivel discs



2 Gaskets

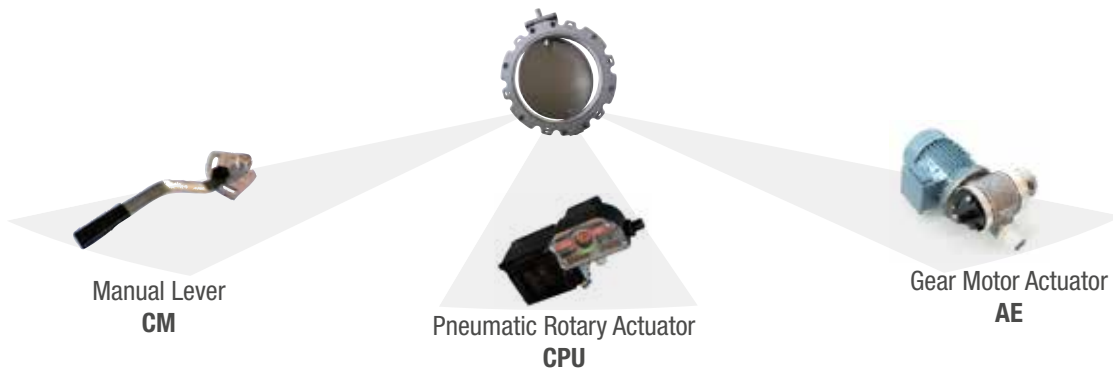


Application



ACTUATOR COMPATIBILITY

For further details refer to Technical Catalogue



203001746 April 2021 Rights reserved to modify technical specifications.

This brochure has been edited for distribution in European Union countries.



www.wamgroup.com