



INDUSTRIAL VIBRATORS

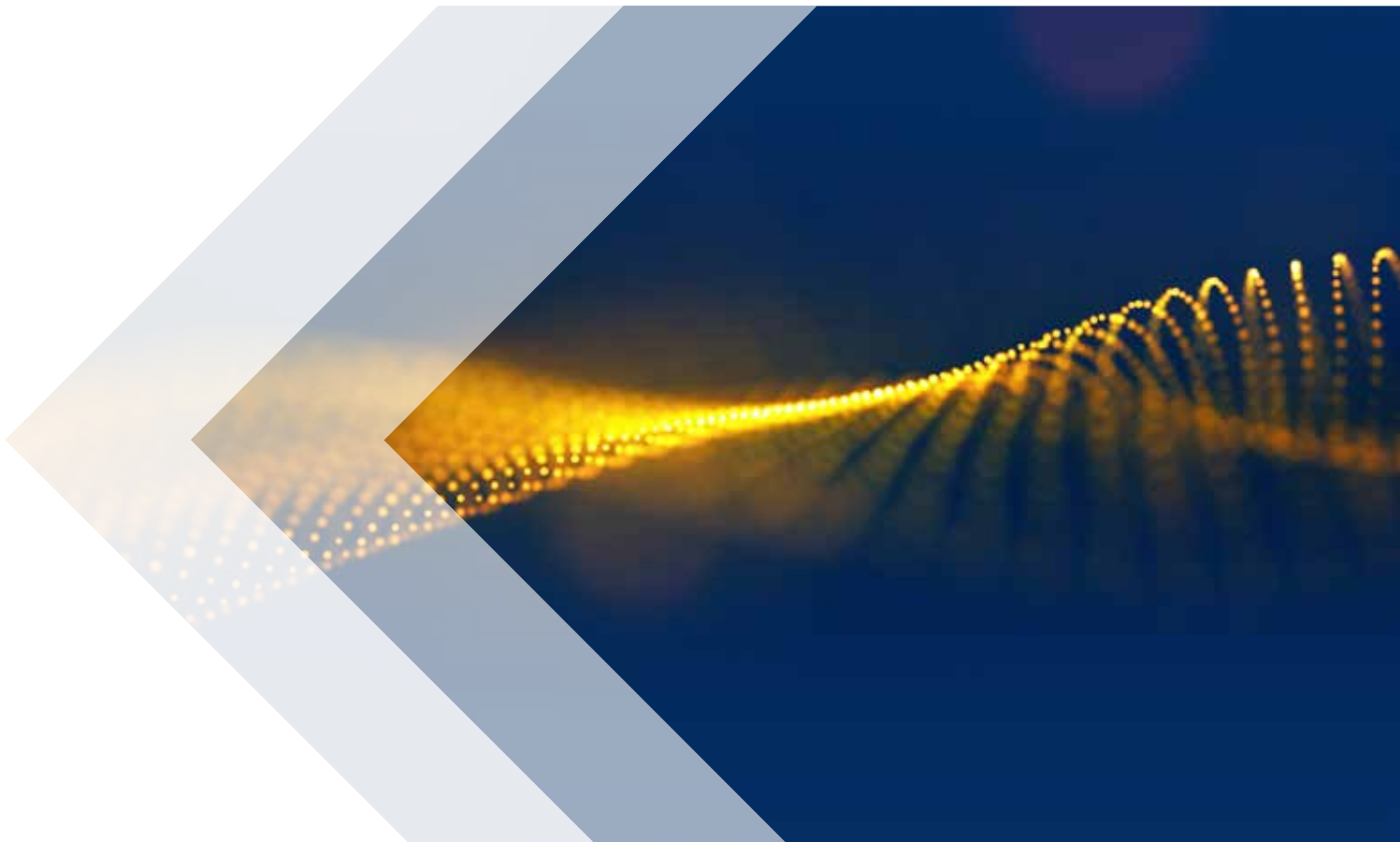
ELECTRIC VIBRATORS FOR INDUSTRIAL APPLICATIONS

DISTRIBUTED BY
INQUIP
BULK MATERIAL
& DUST HANDLING
PRODUCT » DENSITY » FLOW



SERVICE & SUPPORT

Wangara, WA +61 8 9413 1100
support@inquip.com.au
inquip.com.au



DESIGNED TO MEET YOUR NEEDS



DESIGNED TO MEET YOUR NEEDS

VISAM, originally formed in 1994, has become part of OLI group since 2013, the **worldwide leader in vibration technology**.

This division offers to the market electric vibrating motors suitable for **the most demanding applications**, requiring high **performance** and **reliability**. We constantly strive to improve our products, service and technical support in order to meet our customers' demand and achieve their **satisfaction** and fidelity.

Our attention is focused on the **quality** of materials and components, the accuracy and precision of processing and finishing, and **multiple controls** from raw materials to final testing of the product.





Intro

Company profile	4
Standard specifications	6
Certifications, Voltage, Customizations	7
How to choose a vibrating motor	8

AMV range

AMV	10
-----	----

SP range

2 poles single phase	12
2 poles three phase	14
4 poles three phase	16
6 poles three phase	18
8 poles three phase	20

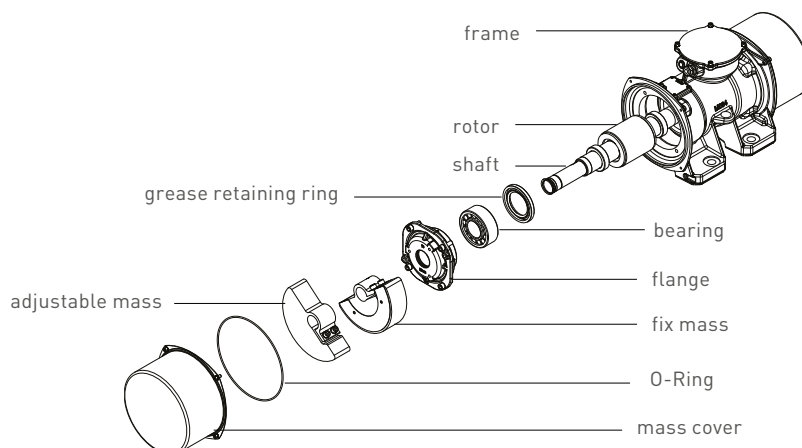
Concrete range

Vibrators for Concrete Consolidation	22
--------------------------------------	----


STANDARD SPECIFICATIONS

Specification	SPX / SPV
Power supply	Three-phase from 42 up to 700 V at 50 and 60 Hz; Single-Phase from 110 up to 240 V at 50 and 60 Hz. Perfect performance under inverter control (VFD)
Time rating	Continuous at maximum Centrifugal Force (S1)
Range	2, 4, 6, 8, 10, 12 poles & specials
Mechanical protection	IP 66
Impact protection	IK 10
Insulation class	F standard • H on request
Coating colour	Powder coated blue RAL 5010 (body) / yellow RAL 1003 (mass covers)
Installation and operating environment	From -20° up to +40° C
Thermal protection	Standard (thermistor 130° C) from size 10. Up to size 9 on request
Centrifugal force	From 30 kg up to 19,000 Kg. Continuous adjusting from 100% to 20% (standard supply: setting at 80%)
Tropicalization	Standard
Lubrication	Greased for life up to size 4. Long life span greasing from size 4.1 upwards.
Mounting position	Any position
Testing	All units undergo a dynamic test-run (with unbalanced weights) before leaving the factory

Model	Poles	Centrifugal Force (kg)	Voltage Class (V)	Speed at 50Hz/ 60Hz (rpm)	Input Power (kW)
SPV SPX	2	65 - 9,550	Three-phase from 42 up to 700 V at 50 and 60 Hz.	3,000 - 3,600	0.11 - 9.5
	4	30 - 13,000		1,500 - 1,800	0.08 - 11
	6	120 - 19,900	Single-phase from 110 up to 240 V at 50 and 60 Hz.	1,000 - 1,200	0.24 - 15
	8	150 - 16,000		750 - 900	0.28 - 12



Certifications

Range	Certifications	Category	Type of protection	Temp. rating	Directive
SPX SPV MICRO		Ex II3D	Ex tc IIIC Tx IP66	135°	European Directives: <ul style="list-style-type: none"> • 2006/42/CE (Machine) • 2014/35/UE (Low Voltage) • 2002/95/CE (Rohs) • 2014/34/UE (Atex)

Voltages

Several voltages are available to match local electric specifications worldwide both at 50Hz and 60Hz.

All VISAM motors can be operated with double voltage by simply changing the connections inside the terminal box from Star to Delta or vice-versa.

Voltage Tolerance: ± 10%

50 Hz

Available Voltages

220-240/380-415 V
230-305/500-525 V
220-240/380-415 V

60 Hz

Available Voltages

220-240/440-480 V
330-345/575-600 V
220-275/380-480 V
220-275/380-480 V

Customizations

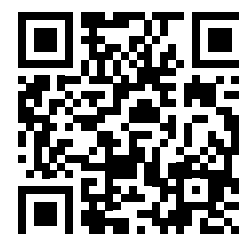
For each model we can customize:

- PAINTING
- FOOTPRINT
- CONNECTION between in-line motors (COUPLED EXECUTION)

All standard products are available in the FINDER online application: <https://app.olivibra.com/en/finder>



Scan to see the standard models





AMV

3,000/3,600 rpm



THREE-PHASE

Wm (kgcm)		Model		Centrifugal Force (kg)		Weight (kg)		ELECTRICAL SPECIFICATIONS					
								Input Power (kW)		Nominal Current A max			Cable Gland
50Hz	60Hz	50Hz	60Hz	50Hz	60Hz	50Hz	60Hz	50Hz (230V)	50Hz (400V)	60Hz (460V)	Metric		
0.4	0.4	AMV 0.3AT	AMV 0.3AT	20	29	2		0.04	0.04	0.21	0.12	0.12	M16
0.9	0.9	AMV 0.4AT	AMV 0.4AT	45	65	2		0.06	0.06	0.30	0.18	0.18	M16

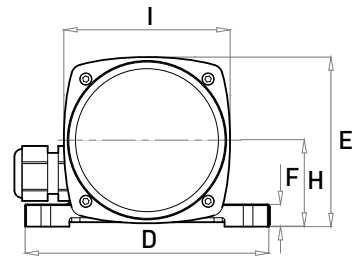
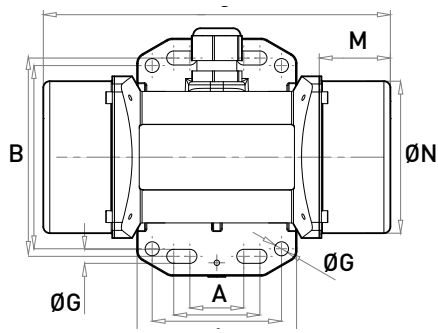
SINGLE-PHASE

Wm (kgcm)		Model		Centrifugal Force (kg)		Weight (kg)		ELECTRICAL SPECIFICATIONS				
								Input Power (kW)		Nominal Current A max		Cable Gland *
50Hz	60Hz	50Hz	60Hz	50Hz	60Hz	50Hz	60Hz	50Hz (230V)	60Hz (115V)	Metric		
0.1	0.1	AMV 0.4AM	/	4	6	1.6		0.03	0.04	0.30	0.80	M16
0.1	0.1	AMV 0.6AM	/	6	9	1.6		0.03	0.04	0.30	0.80	M16
0.4	0.4	AMV 0.3AM	/	20	29	2		0.04	0.07	0.20	0.80	M16
0.9	0.9	AMV 0.7AM	/	45	65	2.4		0.05	0.07	0.25	0.80	M16

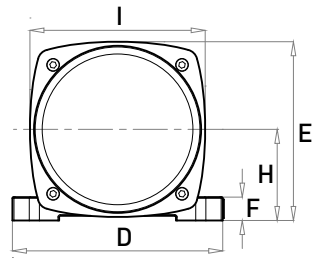
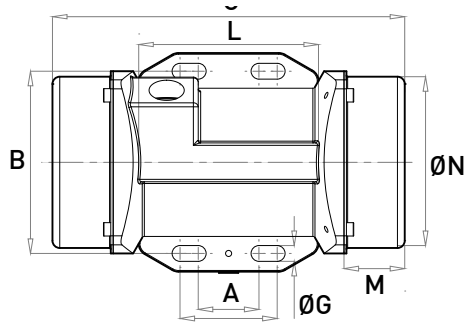
To convert kg into Newton: $N = 9.81 \cdot kg$



- > II3D Ex tb IIIC Tx Db IP66
- > Compliance with Essential Health and Safety Requirements



1



2

Model		Drawing	DIMENSIONAL SPECIFICATIONS (mm)												
			C	M	A	B	Ø G	Holes	D	E	F	H	I	L	N
50Hz	60Hz		50Hz	50Hz				N°							
AMV 0.3AT	AMV 0.3AT	1	145	25	Multiple Footprint			4	110	76	10	39	75	74	70
					25-40	92	6.5								
					60	85	6.5								
AMV 0.4AT	AMV 0.4AT	1	161	33	Multiple Footprint			4	110	76	10	39	75	74	70
					25-40	92	6.5								
					60	85	6.5								

Model		Drawing	DIMENSIONAL SPECIFICATIONS (mm)												
			C	M	A	B	Ø G	Holes	D	E	F	H	I	L	N
50Hz	60Hz		50Hz	50Hz				N°							
AMV 0.4AM	/	1	145	25	Multiple Footprint			4	110	76	10	39	75	74	70
			25-40	92	6.5										
			60	85	6.5										
AMV 0.6AM	/	2	145	25	Multiple Footprint			4	90	76	10	39	75	74	70
			25-40	75	6.5										
			-	-	-										
AMV 0.3AM	/	1	145	25	Multiple Footprint			4	110	76	10	39	75	74	70
			25-40	92	6.5										
			60	85	6.5										
AMV 0.7AM	/	1	161	25	Multiple Footprint			4	110	76	10	39	75	74	70
			25-40	92	6.5										
			60	85	6.5										

NOTE: Dimensions with coarse degree of accuracy related to UNI 22768/1

This information is provided without warranty, representation, inducement or licence of any kind. It is accurate to the best OLI knowledge or is obtained from sources believed to be accurate. OLI therefore assumes no legal responsibility. The latest and most updated information are available online.



SPV / SPX

2 POLES SINGLE-PHASE – 3,000/3,600 rpm



SIZE 01.0



SIZE 06.0

Wm (kgcm)		Model		Centrifugal Force (kg)		Weight (kg)		ELECTRICAL SPECIFICATIONS						
50Hz	60Hz	50Hz	60Hz	50Hz	60Hz	50Hz	60Hz	Input Power (kW)		Nominal Current A max.		Ia / In		Cable Gland
50Hz	60Hz	50Hz	60Hz	50Hz	60Hz	50Hz	60Hz	50Hz	60Hz	50Hz	60Hz	50Hz	60Hz	Metric
1.5	1.1	SPX-50 0.7 AM	SPX-60 0.7 AM	75	80	5	4.9	0.11	0.11	0.5	1.0	2.0	2.5	M16X1.5
2	1.3	SPX-50 1.2 AM	SPX-60 1.2 AM	100	94	5	5	0.17	0.18	0.8	1.6	2.0	2.5	M16X1.5
4.4	3.4	SPX-50 1.8 AM	SPX-60 1.8 AM	220	240	6	6.3	0.18	0.19	0.8	1.7	2.0	2.5	M16X1.5
6.6	4.4	SPV 2.7 AM	SPV 2.7 AM	330	320	9	8.5	0.3	0.33	1.4	3.0	3.0	3.5	M16X1.5
10	8	SPV 4.5 AM	SPV 4.5 AM	500	580	15.5	15	0.5	0.7	2.5	7.0	3.0	3.5	M20X1.5
16	12	SPV 7.0 AM	SPV 7.0 AM	800	870	20.5	20	0.65	0.8	3.5	7.7	4.0	4.0	M20X1.5
20	13	SPV 9.0 AM	SPV 9.0 AM	1,000	965	27.0	25	0.85	0.95	4.0	8.5	4.0	4.0	M20X1.5
26	16	SPV 12.0 AM	SPV 12.0 AM	1,350	1,200	28.0	27.5	0.95	1.1	4.6	9.8	4.0	4.0	M20X1.5

Notes:

.....

.....

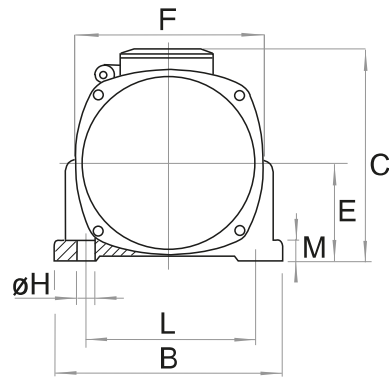
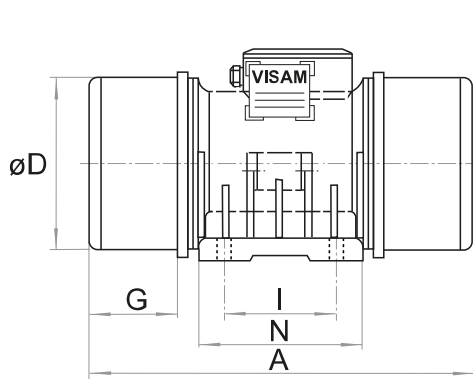
.....

.....

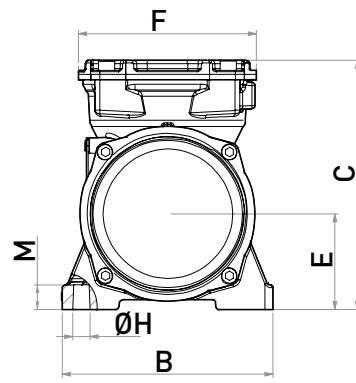
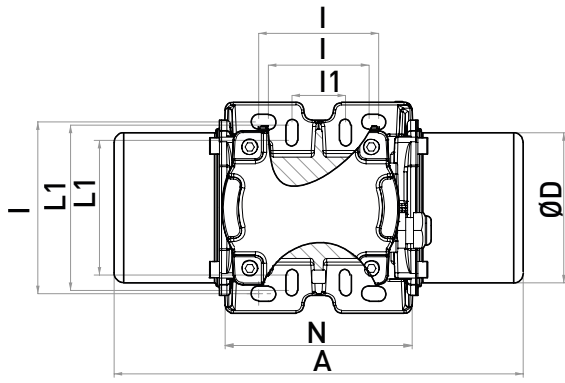
To convert kg into Newton: N = 9.81 · kg



- » II3D Ex tb IIIC Tx Db IP66
- » Compliance with Essential Health and Safety Requirements



1



4

DIMENSIONAL SPECIFICATIONS (mm)

Model		Drawing	Size	DIMENSIONAL SPECIFICATIONS (mm)																
50Hz	60Hz			A	B	C	D	E	F	G		Holes Nr.	H	I	I1	L	L1	M	N	
				50Hz	60Hz															
SPX-50 0.7 AM	SPX-60 0.7 AM	4	01.0	215	130	154	92	59	108	47	4	9	62-74	33	106	83-102	15	100		
SPX-50 1.2 AM	SPX-60 1.2 AM	4	02.0	215	130	154	92	59	108	47	4	9	62-74	33	106	83-102	15	117		
SPX-50 1.8 AM	SPX-60 1.8 AM	4	02.1	252	130	154	92	59	108	66	4	9	62-74	33	106	83-102	15	117		
SPV 2.7 AM	SPV 2.7 AM	1	03.0	262	160	175	126	72	140	56	4	13	90	/	125	/	15	145		
SPV 4.5 AM	SPV 4.5 AM	1	04.0	292	194	204	148	86	164	44	4	13	100	/	155	/	18	180		
SPV 7.0 AM	SPV 7.0 AM	1	05.0	336	220	213	168	96	184	54	4	17	115	/	170	/	20	200		
SPV 9.0 AM	SPV 9.0 AM	1	06.0	366	225	233	187	105	200	62	4	17	120	/	180	/	20	210		
SPV 12.0 AM	SPV 12.0 AM	1	06.1	366	225	233	187	105	200	62	4	17	120	/	180	/	20	210		

Additional fixing holes are produced on request.

Notes:

.....

.....

.....

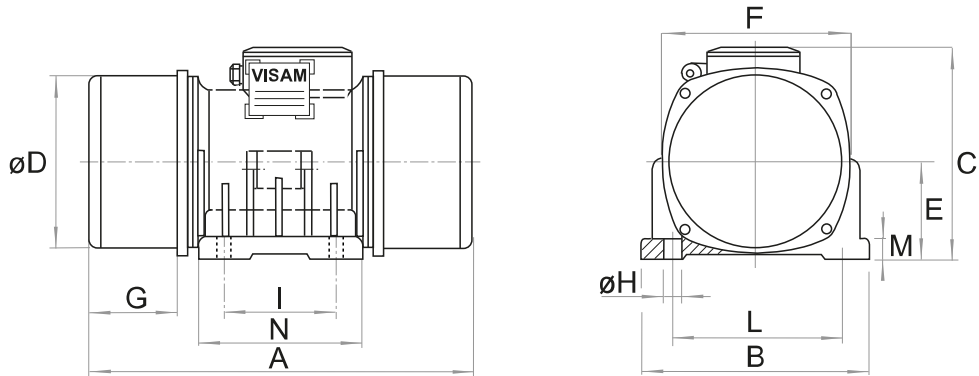
.....

NOTE: Dimensions with coarse degree of accuracy related to UNI 22768/1

This information is provided without warranty, representation, inducement or licence of any kind. It is accurate to the best OLI knowledge or is obtained from sources believed to be accurate. OLI therefore assumes no legal responsibility. The latest and most updated information are available online.

SPV / SPX

2 POLES THREE-PHASE - 3,000/3,600 rpm



1

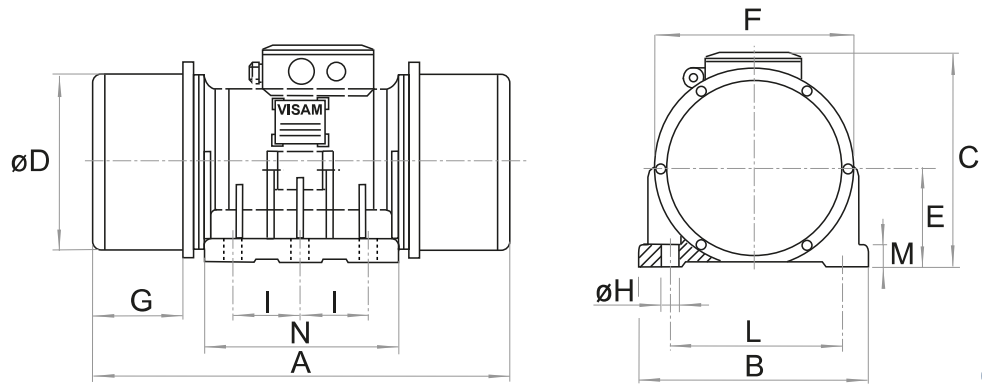
Wm (kgcm)		Model		Centrifugal Force (kg)		Weight (kg)	
50Hz	60Hz	50Hz	60Hz	50Hz	60Hz	50Hz	60Hz
1.3	0.9	SPX-50 0.7 A	SPX-60 0.7 A	65	65	5	4.9
2	1.3	SPX-50 1.2 A	SPX-60 1.2 A	100	94	5.2	5
4.4	3.4	SPX-50 1.8 A	SPX-60 1.8 A	220	240	6	6.3
6.6	4.4	SPV 2.7 A	SPV 2.7 A	330	320	9	8.5
10	8	SPV 4.5 A	SPV 4.5 A	500	580	15.5	15
16	12	SPV 7.0 A	SPV 7.0 A	800	870	20.5	20
20	13	SPV 9.0 A	SPV 9.0 A	1,000	965	27	25
26	16	SPV 12.0 A	SPV 12.0 A	1,350	1,200	28	27.5
33	24	SPV 15.0 A	SPV 15.0 A	1,660	1,750	33.5	32
40	30	SPX-50 19.0 A	SPX-60 19.0 A	2,000	2,200	46	44
54	40	SPX-50 25.0 A	SPX-60 25.0 A	2,700	2,900	61	57.5
83	69	SPX-50 32.0 A	SPX-60 32.0 A	4,200	5,000	100.5	98.5
112	79	SPX-50 50.0 A	SPX-60 50.0 A	5,630	5,700	130	126.5
132	87	SPV 60.0 A	SPV 60.0 A	6,640	6,300	182.5	178
150	110	SPV 70.0 A	SPV 70.0 A	7,600	7,960	210	206
190	130	SPV 85.0 A	SPV 85.0 A	9,550	9,400	216	210

ELECTRICAL SPECIFICATIONS									
Input Power (kW)		Nominal Current A max.				Ia / In		Cable Gland	
50Hz	60Hz	Δ 50Hz	Y 50Hz	Δ 60Hz	Y 60Hz	50Hz	60Hz	Metric	
0.11	0.13	0.4	0.2	0.4	0.25	3	3.5	M16X1.5	
0.18	0.2	0.6	0.4	0.6	0.3	4.5	4.5	M16X1.5	
0.19	0.22	0.7	0.4	0.7	0.4	4.5	4.5	M16X1.5	
0.28	0.3	1	0.6	1	0.6	3.5	3.5	M16X1.5	
0.51	0.6	1.7	1	1.7	1	4	4	M20X1.5	
0.75	0.8	2.3	1.3	2.1	1.2	5	5	M20X1.5	
1.1	1.2	3.2	1.8	3.2	1.8	5	5	M20X1.5	
1.3	1.4	3.7	2.1	3.5	2	5	5	M20X1.5	
1.5	1.6	4.5	2.6	4.5	2.6	6	6	M20X1.5	
1.9	2	5	2.8	5	3	6	6	M20X1.5	
2.2	2.4	6.2	3.6	6	3.4	6	6	M20X1.5	
3.5	4	10	5.8	10	5.8	5.5	5.5	M25X1.5 + M16X1.5	
5	5.5	14	8	14	8	6	6	M25X1.5 + M16X1.5	
7	7.3	20	11.5	19	11	6	6	M25X1.5 + M16X1.5	
8	8.5	22.5	13	21.5	12.5	6	6	M25X1.5 + M16X1.5	
9	9.5	25	14.5	24	14	6	6	M25X1.5 + M16X1.5	

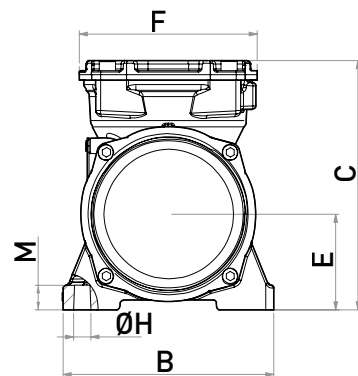
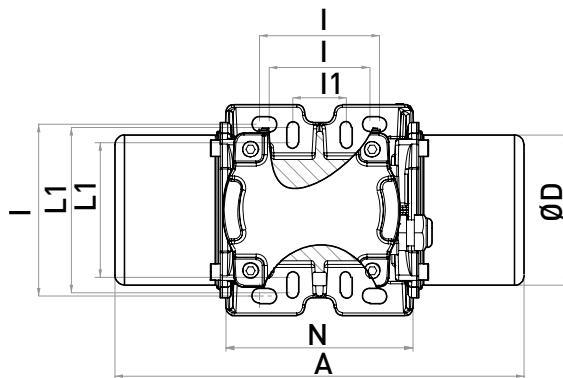
To convert kg into Newton: N = 9.81 · kg



» I13D Ex tb IIIC Tx Db IP66
» Compliance with Essential Health and Safety Requirements



2



4

DIMENSIONAL SPECIFICATIONS (mm)

Model		Drawing	Size	DIMENSIONAL SPECIFICATIONS (mm)																
				A	B	C	D	E	F	G		Holes Nr.	H	I	I1	L	L1	M	N	
50Hz	60Hz			50Hz	60Hz					50Hz	60Hz									
SPX-50 0.7 A	SPX-60 0.7 A	4	01.0	215	130	154	92	59	108	47	4	9	62-74	33	106	83-102	15	117		
SPX-50 1.2 A	SPX-60 1.2 A	4	02.0	215	130	154	92	59	108	47	4	9	62-74	33	106	83-102	15	117		
SPX-50 1.8 A	SPX-60 1.8 A	4	02.1	252	130	154	92	59	108	66	4	9	62-74	33	106	83-102	15	117		
SPV 2.7 A	SPV 2.7 A	1	03.0	262	160	175	126	72	140	56	4	13	90	/	125	/	15	145		
SPV 4.5 A	SPV 4.5 A	1	04.0	292	194	204	148	86	164	44	4	13	100	/	155	/	18	180		
SPV 7.0 A	SPV 7.0 A	1	05.0	336	220	213	168	96	184	54	4	17	115	/	170	/	20	200		
SPV 9.0 A	SPV 9.0 A	1	06.0	366	225	233	187	105	200	62	4	17	120	/	180	/	20	210		
SPV 12.0 A	SPV 12.0 A	1	06.1	366	225	233	187	105	200	62	4	17	120	/	180	/	20	210		
SPV 15.0 A	SPV 15.0 A	1	07.0	403	250	246	200	112	216	75	4	17	150	/	190	/	22	220		
SPX-50 19.0 A	SPX-60 19.0 A	1	08.0	410	280	258	212	117	227	74	4	17	160	/	200	/	30	260		
SPX-50 25.0 A	SPX-60 25.0 A	1	09.0	512	300	280	237	131	255	105	4	22	165	/	230	/	35	300		
SPX-50 32.0 A	SPX-60 32.0 A	1	10.0	568	330	331	270	150	285	104	4	25	165	/	270	/	35	360		
SPX-50 50.0 A	SPX-60 50.0 A	1	11.0	609	355	360	308	166	322	110	4	29	210	/	295	/	35	390		
SPV 60.0 A	SPV 60.0 A	2	12.0	656	390	392	345	193	396	121	6	29	110	/	310	/	41	350		
SPV 70.0 A	SPV 70.0 A	2	13.0	686	390	414	345	192	396	121	6	29	115	/	320	/	45	370		
SPV 85.0 A	SPV 85.0 A	2	13.2	672	390	414	345	192	396	121	6	29	115	/	320	/	45	370		

NOTE: Dimensions with coarse degree of accuracy related to UNI 22768/1

This information is provided without warranty, representation, inducement or licence of any kind. It is accurate to the best OLI knowledge or is obtained from sources believed to be accurate. OLI therefore assumes no legal responsibility. The latest and most updated information are available online.



SPV / SPX

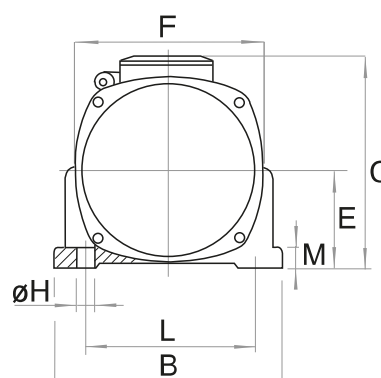
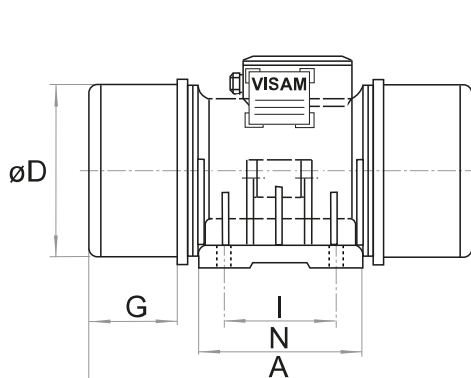
4 POLES THREE-PHASE - 1,500/1,800 rpm



SIZE 11.0



SIZE 12.0



1

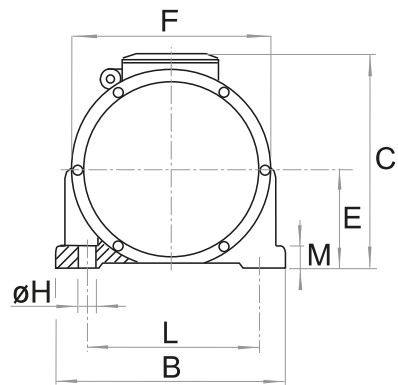
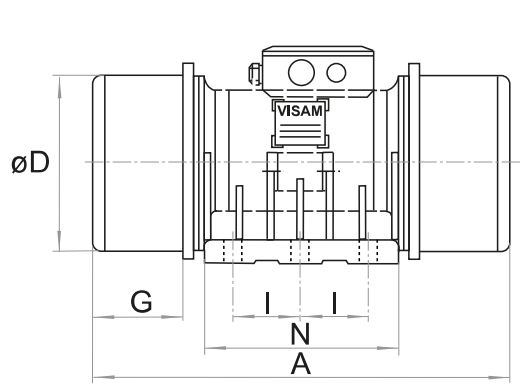
Wm (kgcm)		Model		Centrifugal Force (kg)		Weight (kg)	
50Hz	60Hz	50Hz	60Hz	50Hz	60Hz	50Hz	60Hz
2,4	1,6	SPX-50 0.3 B	SPX-60 0.3 B	30	30	5.1	5
4,4	3,8	SPX-50 0.5 B	SPX-60 0.5 B	55	67	5.5	5.2
7	5	SPX-50 0.8 B	SPX-60 0.8 B	90	90	5.8	5.5
21	14,4	SPV 2.2 B	SPV 2.2 B	265	260	12.5	10.8
36	24	SPV 3.8 B	SPV 3.8 B	450	450	20.5	19
48	36	SPV 5.1 B	SPV 5.1 B	600	650	23.5	21
60	40	SPV 6.7 B	SPV 6.7 B	750	720	27	24.5
91	62	SPV 10.0 B	SPV 10.0 B	1,140	1,120	36	32.5
136	100	SPV 15.0 B	SPV 15.0 B	1,700	1,800	46	41.5
165	110	SPX-50 20.0 B	SPX-60 20.0 B	2,100	2,000	56	50.5
220	160	SPX-50 25.5 B	SPX-60 25.5 B	2,770	2,900	70	67.5
250	186	SPX-50 30.0 B	SPX-60 30.0 B	3,150	3,350	80	74
316	240	SPX-50 35.0 B	SPX-60 35.0 B	4,000	4,350	118	110
420	310	SPX-50 47.5 B	SPX-60 47.5 B	5,300	5,600	152.5	144
460	340	SPV 55.0 B	SPV 55.0 B	5,800	6,200	201.5	196
560	394	SPV 63.0 B	SPV 63.0 B	7,050	7,150	233	221
676	470	SPV 77.0 B	SPV 77.0 B	8,500	8,500	248	233
760	530	SPV-50 83.0 B	SPV-60 83.0 B	9,500	9,600	306	289
970	716	SPV-50 105.0 B	SPV-60 105.0 B	12,200	13,000	337	322

ELECTRICAL SPECIFICATIONS											
Input Power (kW)		Nominal Current A max.				Ia / In		Cable Gland			
50Hz	60Hz	Δ 50Hz	Y 50Hz	Δ 60Hz	Y 60Hz	50Hz	60Hz	Metric			
0.08	0.09	0.3	0.2	0.3	0.2	2.5	2.5	M16X1.5			
0.09	0.1	0.5	0.3	0.4	0.2	4.5	4.5	M16X1.5			
0.1	0.15	0.5	0.3	0.5	0.3	4.5	4.5	M16X1.5			
0.2	0.22	0.8	0.5	0.7	0.4	3	3	M16X1.5			
0.4	0.45	1.3	0.7	1.3	0.7	3	3	M20X1.5			
0.45	0.5	1.5	0.9	1.4	0.8	3	3	M20X1.5			
0.55	0.65	1.7	1	1.7	1	4	4	M20X1.5			
0.95	1	3	1.8	3	1.7	5	5.5	M20X1.5			
1.1	1.2	3.5	2	3.3	1.9	4	4	M20X1.5			
1.3	1.4	4	2.3	3.8	2.2	3.5	3.5	M20X1.5			
1.75	1.9	5	3	4.9	2.8	5	5	M20X1.5			
2	2.1	6	3.8	6	3.5	5	5	M20X1.5			
2.4	2.6	8.7	5	8.3	4.8	5.5	5.5	M25X1.5 + M16X1.5			
3.5	3.8	10.5	6	10	6	4	4	M25X1.5 + M16X1.5			
4.5	5	13	7.5	13	7.5	4	4	M25X1.5 + M16X1.5			
6	6.5	19	11	18	10.5	5	5	M25X1.5 + M16X1.5			
7.1	7.3	20.5	12	19	11	4.5	4.5	M25X1.5 + M16X1.5			
7.8	8.4	21.5	12.5	21	12	4.5	4.5	M32X1.5 + M16X1.5			
10.5	11	30.5	17.5	28	16	5	5	M32X1.5 + M16X1.5			

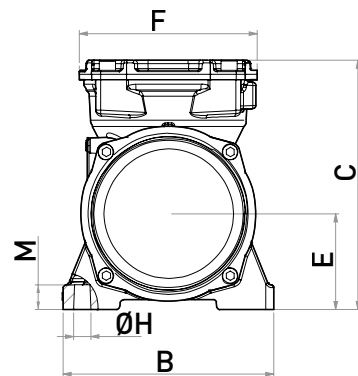
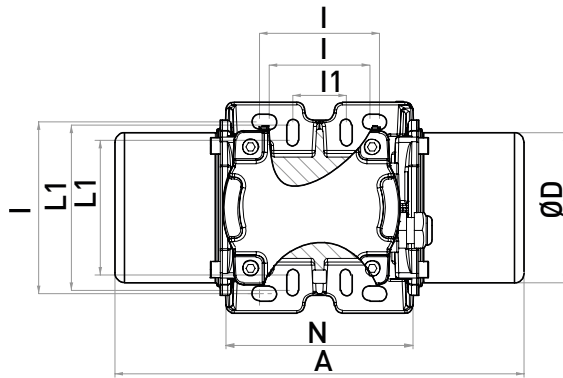
To convert kg into Newton: N = 9.81 · kg



» IIBD Ex tb IIIC Tx Db IP66
» Compliance with Essential Health and Safety Requirements



2



4

DIMENSIONAL SPECIFICATIONS (mm)

Model		Drawing	Size	DIMENSIONAL SPECIFICATIONS (mm)															
50Hz	60Hz			A	B	C	D	E	F	G		Holes Nr.	H	I	I1	L	L1	M	N
				50Hz	60Hz					50Hz	60Hz								
SPX-50 0.3 B	SPX-60 0.3 B	4	01.0	215	130	154	92	59	108	47	4	9	62-74	33	106	83-102	15	117	
SPX-50 0.5 B	SPX-60 0.5 B	4	02.0	215	130	106	92	59	108	50	4	9	62-74	33	106	83-102	15	100	
SPX-50 0.8 B	SPX-60 0.8 B	4	02.1	235	152	106	92	62	135	60	4	9	62-74	33	106	83-102	15	100	
SPV 2.2 B	SPV 2.2 B	1	03.0	332	160	175	126	72	140	91	4	13	90	/	125	/	15	145	
SPV 3.8 B	SPV 3.8 B	1	04.0	370	194	204	148	86	164	83	4	13	100	/	155	/	18	180	
SPV 5.1 B	SPV 5.1 B	1	04.1	406	194	204	148	86	164	101	4	13	100	/	155	/	18	180	
SPV 6.7 B	SPV 6.7 B	1	05.0	390	220	213	168	96	184	81	4	17	115	/	170	/	20	200	
SPV 10.0 B	SPV 10.0 B	1	06.0	428	225	233	187	105	200	93	4	17	120	/	180	/	20	210	
SPV 15.0 B	SPV 15.0 B	1	07.0	461	250	246	200	112	216	104	4	17	150	/	190	/	22	220	
SPX-50 20.0 B	SPX-60 20.0 B	1	08.0	486	280	258	212	117	227	112	4	17	160	/	200	/	30	260	
SPX-50 25.5 B	SPX-60 25.5 B	1	09.0	512	300	280	237	131	255	105	4	22	165	/	230	/	35	300	
SPX-50 30.0 B	SPX-60 30.0 B	1	09.1	584	512	300	280	237	255	141	105	4	22	165	/	230	/	35	300
SPX-50 35.0 B	SPX-60 35.0 B	1	10.0	568	330	331	270	150	285	104	4	25	165	/	270	/	35	360	
SPX-50 47.5 B	SPX-60 47.5 B	1	11.0	609	355	360	308	166	322	110	4	29	210	/	295	/	35	390	
SPV 55.0 B	SPV 55.0 B	2	12.0	656	390	392	345	193	396	121	6	29	110	/	310	/	41	350	
SPV 63.0 B	SPV 63.0 B	2	13.0	686	390	414	345	192	396	121	6	29	115	/	320	/	45	370	
SPV 77.0 B	SPV 77.0 B	2	13.2	672	390	414	345	192	396	121	6	29	115	/	320	/	45	370	
SPV-50 83.0 B	SPV-60 83.0 B	2	14.0	731	456	468	410	235	460	118	6	32	130	/	380	/	40	400	
SPV-50 105.0 B	SPV-60 105.0 B	2	14.1	737	456	468	410	235	460	118	6	32	130	/	380	/	40	400	

NOTE: Dimensions with coarse degree of accuracy related to UNI 22768/1

This information is provided without warranty, representation, inducement or licence of any kind. It is accurate to the best OLI knowledge or is obtained from sources believed to be accurate. OLI therefore assumes no legal responsibility. The latest and most updated information are available online.



SPV / SPX

6 POLES THREE-PHASE – 1,000/1,200 rpm



SIZE 05.0



SIZE 15.0

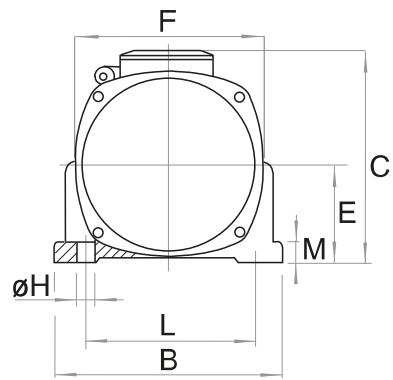
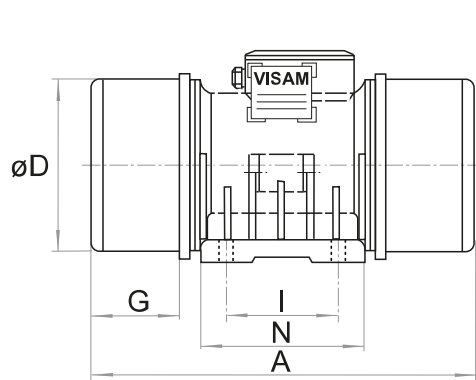
Wm (kgcm)		Model		Centrifugal Force (kg)		Weight (kg)	
50Hz	60Hz	50Hz	60Hz	50Hz	60Hz	50Hz	60Hz
21	21	SPV 1.1 C	SPV 1.1 C	120	170	12.5	12.5
36	36	SPV 1.7 C	SPV 1.7 C	200	300	20.5	20.5
48	48	SPV 2.2 C	SPV 2.2 C	270	390	23	23
80	60	SPV 3.8 C	SPV 3.8 C	450	480	30	27.5
104	91	SPV 5.0 C	SPV 5.0 C	580	735	37	36
172	136	SPV 8.0 C	SPV 8.0 C	960	1,100	50	46
222	165	SPX-50 12.0 C	SPX-60 12.0 C	1,250	1,350	62.5	56
330	220	SPX-50 17.0 C	SPX-60 17.0 C	1,850	1,750	82	70
420	250	SPX-50 22.0 C	SPX-60 22.0 C	2,350	2,050	100	80
512	316	SPX-50 27.0 C	SPX-60 27.0 C	2,860	2,550	140	124
712	420	SPX-50 35.5 C	SPX-60 35.5 C	4,000	3,400	173.5	153
860	590	SPX-50 41.5 C	SPX-60 41.5 C	4,800	4,750	187	167
1020	734	SPV 50.0 C	SPV 50.0 C	5,700	5,900	241.5	221
1,210	820	SPV 61.0 C	SPV 61.0 C	6,800	6,600	280	255
1,400	980	SPV 69.0 C	SPV 69.0 C	7,800	7,900	295	262
1580	1100	SPV 80.0 C	SPV 80.0 C	8,800	8,850	308	280
1,720	1,200	SPV 89.0 C	SPV 89.0 C	9,610	9,650	330	294
1,820	1,300	SPV-50 90.5 C	SPV-60 90.5 C	10,200	10,500	372	337
2,270	1,500	SPV-50 114.0 C	SPV-60 114.0 C	12,700	12,100	412	364
2,430	1,654	SPV-50 122.0 C	SPV-60 122.0 C	13,600	13,350	428	380
2,800	1,980	SPV-50 140.0 C	SPV-60 140.0 C	15,650	15,950	543	500
3,140	2,140	SPV-50 160.0 C	SPV-60 160.0 C	17,550	17,200	610	555
3,560	/	SPV-50 190.0 C	/	19,900	/	630	/

ELECTRICAL SPECIFICATIONS									
Input Power (kW)		Nominal Current A max.				Ia / In		Cable Gland	
50Hz	60Hz	Δ 50Hz	Y 50Hz	YY/Δ 60Hz	Y 60Hz	50Hz	60Hz	Metric	
0.24	0.28	1.2	0.7	1.2	0.7	3.5	3.5	M16X1.5	
0.3	0.35	1.3	0.7	1.4	0.7	3	3	M20X1.5	
0.35	0.4	1.5	0.9	1.7	0.8	3	3	M20X1.5	
0.45	0.5	2.3	1.3	2.4	1.2	3.5	3.5	M20X1.5	
0.8	0.9	3	1.7	3.2	1.6	4	4	M20X1.5	
0.9	1	3.2	1.9	3.4	1.7	3.5	3.5	M20X1.5	
1	1.15	3.6	2.1	3.8	1.9	3.5	3.5	M20X1.5	
1.4	1.55	4.6	2.7	5	2.5	4	4	M20X1.5	
1.6	1.7	5.3	3	5.6	2.8	4	4	M20X1.5	
2.4	2.6	9	5.2	10	5	5	5	M25X1.5 + M16X1.5	
2.7	2.9	10.5	6	12	6	5	5.5	M25X1.5 + M16X1.5	
3.3	3.6	12	7	14	7	5	5	M25X1.5 + M16X1.5	
4.2	4.5	13	7.5	15	7.5	5	5	M25X1.5 + M16X1.5	
5.3	6.2	16.5	9.5	20	10	5	5	M25X1.5 + M16X1.5	
5.9	6.6	19	11	22	11	5	5	M25X1.5 + M16X1.5	
7	7.5	21	12	24	12	5.5	5.5	M25X1.5 + M16X1.5	
7.6	8.2	22.5	13	26	13	5.5	5.5	M25X1.5 + M16X1.5	
8	8.6	26	15	27.5	13.8	5	5	M32X1.5 + M16X1.5	
9.8	10.8	28	16	34	17	5.5	5.5	M32X1.5 + M16X1.5	
10.2	11	30	17	35	17.5	5.5	5.5	M32X1.5 + M16X1.5	
11.5	12.5	21	12	36.9	18.5	5.5	5.5	M32X1.5 + M16X1.5	
13.8	15	24	13.8	47	23.5	6	5.5	M32X1.5 + M16X1.5	
14	/	24.6	14.2	/	/	6	/	M32X1.5 + M16X1.5	

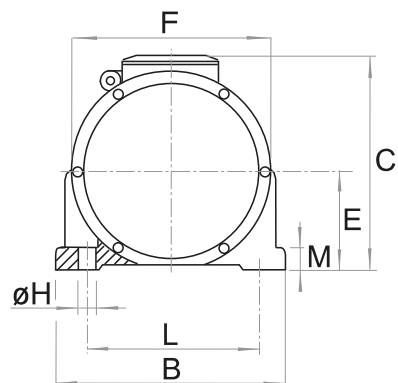
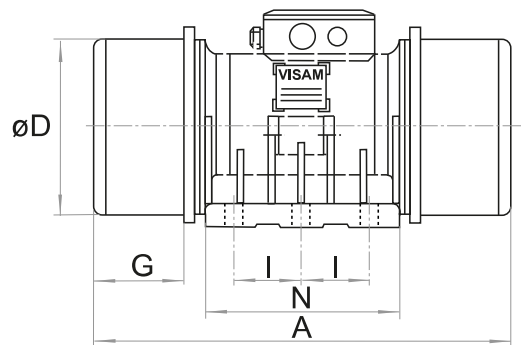
To convert kg into Newton: N = 9.81 · kg



- » II3D Ex tb IIIC Tx Db IP66
- » Compliance with Essential Health and Safety Requirements



1



2

DIMENSIONAL SPECIFICATIONS (mm)

Model		Drawing	Size	DIMENSIONAL SPECIFICATIONS (mm)														
50Hz	60Hz			A	B	C	D	E	F	G		Holes Nr.	H	I	L	M	N	
				50Hz	60Hz						50Hz	60Hz						
SPV 1.1 C	SPV 1.1 C	1	03.0	332	160	175	126	72	140	91	4	13	90	125	15	145		
SPV 1.7 C	SPV 1.7 C	1	04.0	370	194	204	148	86	164	83	4	13	100	155	18	180		
SPV 2.2 C	SPV 2.2 C	1	04.1	406	194	204	148	86	164	101	4	13	100	155	18	180		
SPV 3.8 C	SPV 3.8 C	1	05.0	428	220	213	168	96	184	100	4	17	115	170	20	200		
SPV 5.0 C	SPV 5.0 C	1	06.0	452	225	233	187	105	200	105	4	17	120	180	20	210		
SPV 8.0 C	SPV 8.0 C	1	07.0	495	250	246	200	112	216	121	4	17	150	190	22	220		
SPX-50 12.0 C	SPX-60 12.0 C	1	08.0	548	486	280	258	212	117	227	143	112	4	17	160	200	30	260
SPX-50 17.0 C	SPX-60 17.0 C	1	09.0	584	512	300	280	237	131	255	141	105	4	22	165	230	35	300
SPX-50 22.0 C	SPX-60 22.0 C	1	09.1	624	584	300	280	237	131	255	161	141	4	22	165	230	35	300
SPX-50 27.0 C	SPX-60 27.0 C	1	10.0	662	624	330	331	270	150	285	151	141	4	25	165	270	35	360
SPX-50 35.5 C	SPX-60 35.5 C	1	11.0	693	662	355	360	308	166	322	152	141	4	29	210	295	35	390
SPX-50 41.5 C	SPX-60 41.5 C	1	11.1	693	662	355	360	308	166	322	152	141	4	29	210	295	35	390
SPV 50.0 C	SPV 50.0 C	2	12.0	740	740	390	392	345	193	396	163	163	6	29	110	310	41	350
SPV 61.0 C	SPV 61.0 C	2	13.0	770	770	390	414	345	192	396	163	163	6	29	115	320	45	370
SPV 69.0 C	SPV 69.0 C	2	13.1	851	770	390	414	345	192	396	203	163	6	29	115	320	45	370
SPV 80.0 C	SPV 80.0 C	2	13.2	838	838	390	414	345	192	396	203	203	6	29	115	320	45	370
SPV 89.0 C	SPV 89.0 C	2	13.3	917	838	390	414	345	192	396	243	203	6	29	115	320	45	370
SPV-50 90.5 C	SPV-60 90.5 C	2	14.0	901	901	456	468	410	235	460	203	203	6	32	130	380	40	400
SPV-50 114.0 C	SPV-60 114.0 C	2	14.1	907	907	456	468	410	235	460	203	203	6	32	130	380	40	400
SPV-50 122.0 C	SPV-60 122.0 C	2	14.2	907	907	456	468	410	235	460	203	203	6	32	130	380	40	400
SPV-50 140.0 C	SPV-60 140.0 C	2	15.0	964	964	520	504	451	255	500	218	218	6	38	155	400	40	470
SPV-50 160.0 C	SPV-60 160.0 C	2	15.1	1.018	1.018	520	504	451	255	500	218	218	6	38	155	400	40	470
SPV-50 190.0 C	/	2	15.2	1.138	1.138	520	504	451	255	500	178	178	6	38	155	400	40	447

NOTE: Dimensions with coarse degree of accuracy related to UNI 22768/1

This information is provided without warranty, representation, inducement or licence of any kind. It is accurate to the best OLI knowledge or is obtained from sources believed to be accurate. OLI therefore assumes no legal responsibility. The latest and most updated information are available online.

8 POLES THREE-PHASE – 750/900 rpm



SIZE 13.0

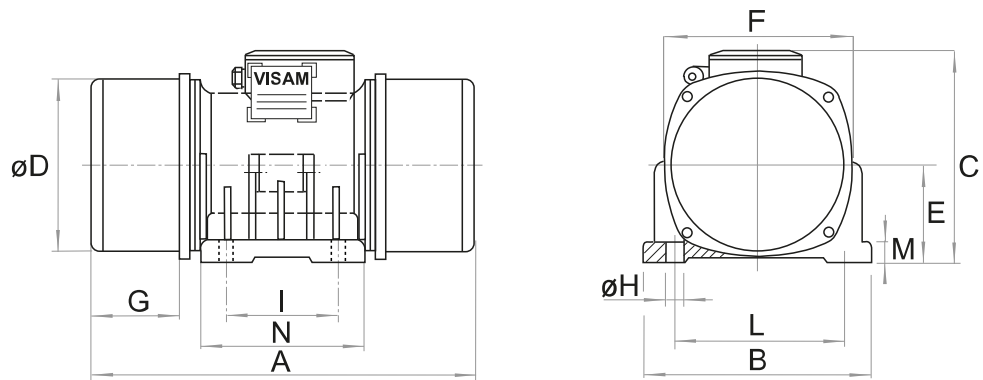


SIZE 15.0

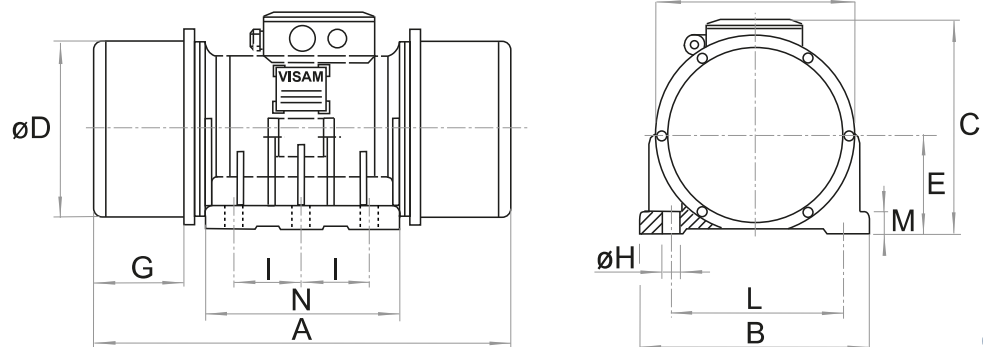
Wm (kgcm)		Model		Centrifugal Force (kg)		Weight (kg)	
50Hz	60Hz	50Hz	60Hz	50Hz	60Hz	50Hz	60Hz
48	48	SPV 1.3 D	SPV 1.3 D	150	220	23	23
80	80	SPV 2.1 D	SPV 2.1 D	250	360	30	30
104	104	SPV 2.8 D	SPV 2.8 D	330	470	37	37
172	172	SPV 4.5 D	SPV 4.5 D	540	780	50	50
222	222	SPX-50 7.0 D	SPX-60 7.0 D	700	1,000	62.5	62.5
330	330	SPX-50 10.0 D	SPX-60 10.0 D	1,050	1,500	82	82
420	420	SPX-50 13.0 D	SPX-60 13.0 D	1,320	1,900	100	100
512	512	SPX-50 15.5 D	SPX-60 15.5 D	1,610	2,320	140	140
712	712	SPX-50 20.0 D	SPX-60 20.0 D	2,250	3,220	173.5	173.5
860	860	SPX-50 23.5 D	SPX-60 23.5 D	2,700	3,900	187	187
1,210	1,020	SPV 28.0 D	SPV 28.0 D	3,800	4,620	254	241.5
1,510	1,210	SPV 42.5 D	SPV 42.5 D	4,750	5,500	300	280
1,960	1,580	SPV 56.0 D	SPV 56.0 D	6,160	7,150	331	308
2,394	1,820	SPV-50 66.5 D	SPV-60 66.5 D	7,550	8,250	407	372
2,734	2,430	SPV-50 78.5 D	SPV-60 78.5 D	8,600	11,000	438	428
3,600	2,800	SPV-50 100.0 D	SPV-60 100.0 D	11,300	12,640	584	543
4,340	3,540	SPV-50 124.0 D	SPV-60 124.0 D	13,650	16,000	672	630

ELECTRICAL SPECIFICATIONS										
Input Power (kW)		Nominal Current A max.				Ia / In		Cable Gland		
50Hz	60Hz	Δ 50Hz	Y 50Hz	YY/Δ 60Hz	Y 60Hz	50Hz	60Hz	Metric		
0.28	0.32	1.2	0.7	1.5	0.7	3	3	M20X1.5		
0.45	0.5	2.1	1.2	2.2	1.1	3.5	3.5	M20X1.5		
0.55	0.7	2.5	1.5	3.5	1.7	3.5	3.5	M20X1.5		
0.7	0.8	2.9	1.7	3.4	1.7	3.5	3.5	M20X1.5		
0.9	0.95	3.5	2	4	2	3	3	M20X1.5		
1.1	1.2	4.3	2.5	5.2	2.6	4	4	M20X1.5		
1.3	1.5	4.8	2.8	5.4	2.7	4	4	M20X1.5		
2	2.3	8.6	5	10	5	4.5	4.5	M25X1.5 + M16X1.5		
2.5	2.8	10	6	12	6	4.5	4.5	M25X1.5 + M16X1.5		
3	3.3	11.7	6.8	14	7	4.5	4.5	M25X1.5 + M16X1.5		
3.7	4.1	14.7	8.5	17	8.5	4.5	4.5	M25X1.5 + M16X1.5		
5.2	5.8	17.5	10	20	10	5.5	5.5	M25X1.5 + M16X1.5		
6.5	7.2	21	12	24	12	5	5	M25X1.5 + M16X1.5		
7	8	22.5	13	26	13	4	4	M32X1.5 + M16X1.5		
8	8.5	24.5	14	28	14	5	5	M32X1.5 + M16X1.5		
10	10.8	18	10.5	36	18	5	5	M32X1.5 + M16X1.5		
11	12	20	11.5	40	20	5	5	M32X1.5 + M16X1.5		

To convert kg into Newton: $N = 9.81 \cdot kg$



1



2

DIMENSIONAL SPECIFICATIONS (mm)

Model		Drawing	Size	DIMENSIONAL SPECIFICATIONS (mm)															
				A	B	C	D	E	F	G		Holes Nr.	H	I	L	M	N		
50Hz	60Hz			50Hz	60Hz						50Hz	60Hz							
SPV 1.3 D	SPV 1.3 D	1	04.1	406	194	204	148	86	164	101	4	13	100	155	18	180			
SPV 2.1 D	SPV 2.1 D	1	05.0	428	220	213	168	96	184	100	4	17	115	170	20	200			
SPV 2.8 D	SPV 2.8 D	1	06.0	452	225	233	187	105	200	105	4	17	120	180	20	210			
SPV 4.5 D	SPV 4.5 D	1	07.0	495	250	246	200	112	216	121	4	17	150	190	22	220			
SPX-50 7.0 D	SPX-60 7.0 D	1	08.0	548	280	258	212	117	227	143	4	17	160	200	30	260			
SPX-50 10.0 D	SPX-60 10.0 D	1	09.0	584	300	280	237	131	255	141	4	22	165	230	35	300			
SPX-50 13.0 D	SPX-60 13.0 D	1	09.1	624	300	280	237	131	255	161	4	22	165	230	35	300			
SPX-50 15.5 D	SPX-60 15.5 D	1	10.0	662	330	331	270	150	285	151	4	25	165	270	35	360			
SPX-50 20.0 D	SPX-60 20.0 D	1	11.0	693	355	360	308	166	322	152	4	29	210	295	35	390			
SPX-50 23.5 D	SPX-60 23.5 D	1	11.1	693	355	360	308	166	322	152	4	29	210	295	35	390			
SPV 28.0 D	SPV 28.0 D	2	12.0	740	390	392	345	193	396	163	6	29	110	310	41	350			
SPV 42.5 D	SPV 42.5 D	2	13.0	851	770	390	414	345	396	203	163	6	29	115	320	45	370		
SPV 56.0 D	SPV 56.0 D	2	13.2	917	838	390	414	345	396	243	203	6	29	115	320	45	370		
SPV-50 66.5 D	SPV-60 66.5 D	2	14.0	1.001	901	456	468	410	235	460	253	203	6	32	130	380	40	400	
SPV-50 78.5 D	SPV-60 78.5 D	2	14.1	1.007	907	456	468	410	235	460	253	203	6	32	130	380	40	400	
SPV-50 100.0 D	SPV-60 100.0 D	2	15.0	1.084	964	520	504	451	255	500	278	218	6	38	155	400	40	470	
SPV-50 124.0 D	SPV-60 124.0 D	2	15.1	1.138	520	504	451	255	500	278	6	38	155	400	40	470			

NOTE: Dimensions with coarse degree of accuracy related to UNI 22768/1

This information is provided without warranty, representation, inducement or licence of any kind. It is accurate to the best OLI knowledge or is obtained from sources believed to be accurate. OLI therefore assumes no legal responsibility. The latest and most updated information are available online.



VIBRATORS FOR CONCRETE CONSOLIDATION

FOOT / CRADLE



STANDARD FREQUENCY ELECTRIC MOTORS / FOOT

Wm	MODEL	Weight	Centrifugal Force	rpm	ELECTRICAL SPECIFICATIONS						CERTIFICATE	
					Input Power	Frequency	NOMINAL CURRENT A max.		COS Φ	Ia / In		CABLE GLAND
kgcm		kg	kg		kW	Hz	42V	230/400V			Metric	Temp. Class
13.00	VFV 100 25/6	42.0	2,600	0÷6,000	2.25	0÷100Hz	on request	7.96/4.60	0.71	5.50	M20	on request

STANDARD FREQUENCY ELECTRIC MOTORS / CRADLE

Wm	MODEL	Weight	Centrifugal Force	rpm	ELECTRICAL SPECIFICATIONS						CERTIFICATE	
					Input Power	Frequency	NOMINAL CURRENT A max.		COS Φ	Ia / In		CABLE GLAND
kgcm		kg	kg		kW	Hz	42V	230/400V			Metric	Temp. Class
16.00	SPC 50 7.0 A-00	23.5	800	3,000	0.75	50	on request	2.25/1.30	0.84	5.0	M20	on request
20.00	SPC 50 9.0 A-00	24.5	1,000	3,000	0.85	50	on request	2.42/1.40	0.88	5.0	M20	on request

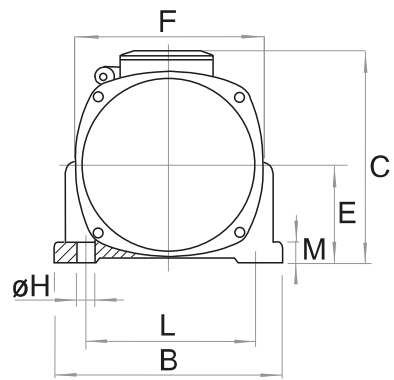
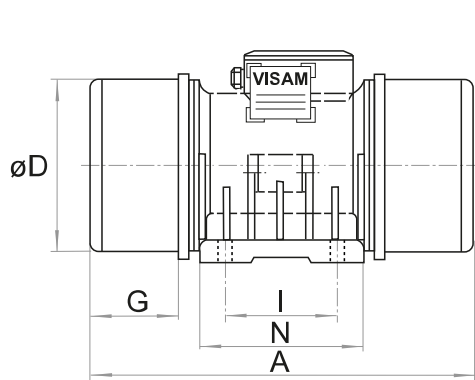
HIGH FREQUENCY ELECTRIC MOTORS / CRADLE

Wm	MODEL	Weight	Centrifugal Force	RPM	ELECTRICAL SPECIFICATIONS						CERTIFICATE	
					Input Power	Frequency	NOMINAL CURRENT A max.		COS Φ	Ia / In		CABLE GLAND
kgcm		kg	kg		kW	Hz	42V	230/400V			Metric	Temp. Class
7.40	HFC-200 6000/15	21.5	1,500	6,000	1.00	200	19.70	3.60/2.10	0.70	5.5	M20	on request
10.00	VFC 100 20/6	24.0	2,000	0÷6,000	1.25	0÷100	on request	4.00/2.30	0.79	5.5	M20	on request

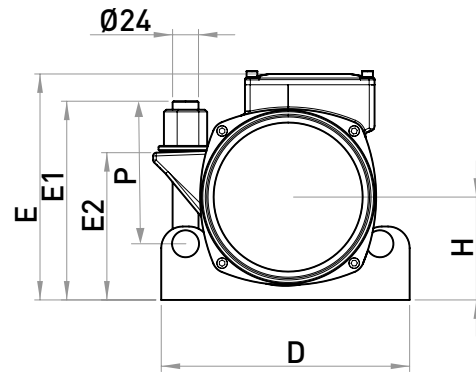
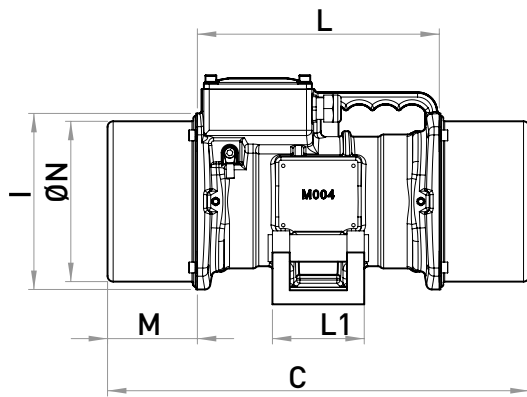
To convert kg into Newton: $N = 9.81 \cdot kg$



- » I13D Ex tb IIIC Tx Db IP66
- » Compliance with Essential Health and Safety Requirements



1



2

MODEL	Drawing	Size	DIMENSIONAL SPECIFICATIONS (mm)												
			C	M	A	B	$\varnothing G$	Holes	D	E	F	H	I	L	N
VFV 100 25/6	1	8	410	74	150	190	17	4	280	258	30	117	227	260	212

MODEL	Drawing	Size	DIMENSIONAL SPECIFICATIONS (mm)												
			C	M	L	L1	O	P	D	E	E1	E2	I	H	N
SPC 50 7.0 A-00	2	05	390	83	224	85	M24	132	230	212	184	136	163	95	148
SPC 50 9.0 A-00	2	05	390	83	224	85	M24	132	230	212	184	136	163	95	148

MODEL	Drawing	Size	DIMENSIONAL SPECIFICATIONS (mm)												
			C	M	L	L1	O	P	D	E	E1	E2	I	H	N
HFC-200 6000/15	2	05	312	44	224	85	M24	132	230	212	184	136	163	95	148
VFC 100 20/6	2	05	390	83	224	85	M24	132	230	212	184	136	163	95	148

NOTE: Dimensions with coarse degree of accuracy related to UNI 22768/1

This information is provided without warranty, representation, inducement or licence of any kind. It is accurate to the best OLI knowledge or is obtained from sources believed to be accurate. OLI therefore assumes no legal responsibility. The latest and most updated information are available online.

DESIGNED TO MEET YOUR NEEDS



DISTRIBUTED BY

INQUIP
BULK MATERIAL
& DUST HANDLING

PRODUCT - DENSITY - FLOW

SERVICE & SUPPORT

Wangara, WA +61 8 9413 1100
support@inquip.com.au
inquip.com.au



Worldwide presence

OLI Australia	OLI India	OLI Mexico	OLI Spain
OLI Benelux	OLI Indonesia	OLI Middle East	OLI Thailand
OLI Brazil	OLI Italy	OLI Nordic	OLI Turkey
OLI China	OLI Korea	OLI Poland	OLI UK
OLI France	OLI Malaysia	OLI Russia	OLI USA
OLI Germany	OLI Malta	OLI South Africa	OLI Vietnam

