

# MVE-FD “Flanged Drive”



## DESIGNED FOR:

- **CIRCULAR MOTION SCREENS UP TO 11 TONS IN WEIGHT**
- **LINEAR MOTION SCREENS UP TO 22 TONS IN WEIGHT**

Centrifugal force range from 24,800 Newton up to 250,000 Newton



CONNECTION FLANGE

## ZERO MAINTENANCE

*Straightforward intuitive design.  
Neither hydraulic power nor external drives needed.  
Greased for life; no stop duty; adjustable vibration intensity.*



## QUICK INSTALLATION

*“Plug & play” installation process compared to traditional drive systems: all the necessary drive components are already included inside the drive itself.  
Quick replacement using standard tools.*



## BUILT TO LAST

*The robust design and the first class materials ensure a long life.*



VIBRATORS FOR  
QUARRY & MINING,  
RECYCLING

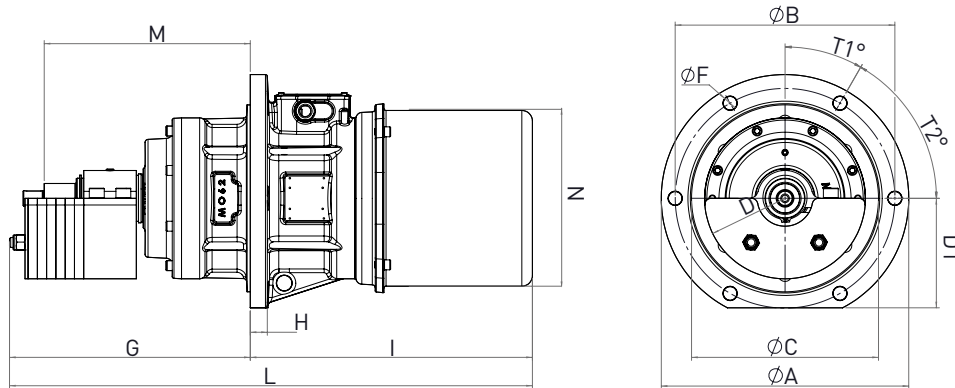




# MVE-FD FLANGED DRIVE



A



## 6 POLES – 1000/1200 rpm

\* Terminal Connections: Y High Voltage

Wm (kgcm)		Model		Centrifugal Force (kg)		Weight (kg)		ELECTRICAL SPECIFICATIONS							
50Hz	60Hz	50Hz	60Hz	50Hz	60Hz	50Hz	60Hz	Input Power (kW)		Nominal Current		* Terminal Connection	Ia / In (Ampere)		Cable Gland Class Temp.
50Hz	60Hz	50Hz	60Hz	50Hz	60Hz	50Hz	60Hz	50Hz	60Hz	400V 50Hz	460V 60Hz		50Hz	60Hz	
806	654	MVE 4500/1N-FD-80AX A	MVE 5200/12N-FD-80AX A	4,500	5,264	205	200	3.6	3.6	7.5	6.9	Y	4.5	4.3	120
960	806	MVE 5500/1N-FD-80AX A	MVE 6500/12N-FD-80AX A	5,360	6,480	243	231	5.8	5.8	12	10.5	Y	5.5	5.3	120
1,518	1,058	MVE 8500/1N-FD-90BP A	MVE 8500/12N-FD-90BP A	8,480	8,511	334	330	6.1	6.4	14.1	12.7	Δ	6.4	6.4	120
1,870	1,518	MVE 10500/1N-FD-91BP A	MVE 12500/12N-FD-91BP A	10,446	12,211	408	387	6.4	7.7	12.9	14.5	Δ	5.8	6.4	120
2,218	/	MVE 12500/1N-FD-91BP A	/	12,391	/	437	/	8	/	17.1	/	Δ	6.2	/	120
2,634	1,856	MVE 15000/1N-FD-105BR B	MVE 15000/12N-FD-105BR B	14,706	14,923	674	632	11.9	14.2	21	21	Δ	5.8	5.8	120
3,220	2,147	MVE 17500/1N-FD-105BR B	MVE 17500/12N-FD-105BR B	17,980	17,264	700	640	11.9	14.2	21	21	Δ	5.6	5.9	120
3,632	2,525	MVE 19500/1N-FD-105BR B	MVE 19500/12N-FD-105BR B	20,285	20,299	720	680	12	14.5	24	24	Δ	5.4	5.6	120
4,572	3,163	MVE 25000/1N-FD-110BS B	MVE 25000/12N-FD-110BS B	25,532	25,432	982	925	13.9	17	28	28	Δ	4.8	5.3	120

## 8 POLES – 750/900 rpm

Wm (kgcm)		Model		Centrifugal Force (kg)		Weight (kg)		ELECTRICAL SPECIFICATIONS							
50Hz	60Hz	50Hz	60Hz	50Hz	60Hz	50Hz	60Hz	Input Power (kW)		Nominal Current		* Terminal Connection	Ia / In (Ampere)		Cable Gland Class Temp.
50Hz	60Hz	50Hz	60Hz	50Hz	60Hz	50Hz	60Hz	50Hz	60Hz	400V 50Hz	460V 60Hz		50Hz	60Hz	
806	806	MVE 2600/075N-FD-80AX A	MVE 3700/090N-FD-80AX A	2,531	3,645	207	207	2.5	3	6	6	Y	3.5	3.5	120
960	960	MVE 3000/075N-FD-80AX A	MVE 4400/090N-FD-80AX A	3,015	4,342	232	232	5	5.9	13.5	14.2	Y	3.6	3.6	120
1,932	1,932	MVE 6000/075N-FD-90BP A	MVE 8700/090N-FD-90BP A	6,071	8,742	397	397	6.8	7.5	13.4	12.5	Δ	3.5	3.5	120
2,218	2,218	MVE 7000/075N-FD-91BP A	MVE 10000/090N-FD-91BP A	6,969	10,036	421	421	7	7.7	14.7	13.4	Δ	4.6	3.5	120
3,713	3,220	MVE 14000/075N-FD-105BR B	MVE 14000/090N-FD-105BR B	11,661	14,563	730	704	9	10.6	19	19	Δ	4.5	5	120
4,401	3,920	MVE 17000/075N-FD-105BR B	MVE 17000/090N-FD-105BR B	13,822	17,729	753	733	9.1	11	20	20	Δ	5.3	5.8	120
5,857	4,999	MVE 22000/075N-FD-110BS B	MVE 22000/090N-FD-110BS B	18,395	22,610	970	925	13.8	16.5	28	28	Δ	5.6	5.2	120

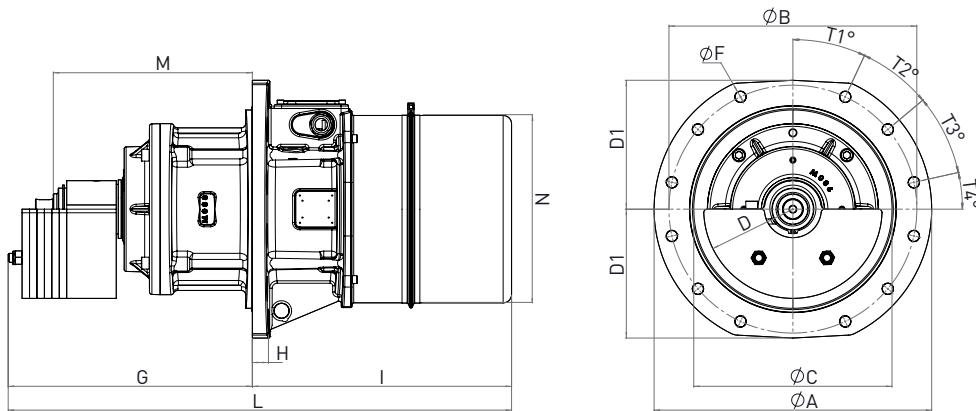
To convert kg into Newton:  $N = 9.81 \cdot kg$



» IIC3 Ex tc IIIC Tx IP66  
» Equipment and protective system intended for use in potentially explosive atmospheres (Zone 22) - Directive 2014/34/UE

» Compliance with Essential Health and Safety Requirements EN 60079-0, EN 60079-31

**B**



Model		Drawing	Size	DIMENSIONAL SPECIFICATIONS (mm)												
50Hz	60Hz			Holes	B	F	A	C	D	D1	G		H	I	L	
										50Hz	60Hz			50Hz	60Hz	
MVE 4500/1N-FD-80AX A	MVE 5200/12N-FD-80AX A	A	80AX	6	355	22	400	302	130	177	399	389	28	501	900	890
MVE 5500/1N-FD-80AX A	MVE 6500/12N-FD-80AX A	A	80AX	6	355	22	400	302	130	177	459	429	28	521	980	950
MVE 8500/1N-FD-90BP A	MVE 8500/12N-FD-90BP A	B	90BP	12	500	22	560	400	180	260	411	376	30	460	871	836
MVE 10500/1N-FD-91BP A	MVE 12500/12N-FD-91BP A	B	91BP	12	500	22	560	400	180	260	473.5	458.5	30	523	996	981.5
MVE 12500/1N-FD-91BP A	/	B	91BP	12	500	22	560	400	180	260	488.5	/	30	523	1,011	/
MVE 15000/1N-FD-105BR B	MVE 15000/12N-FD-105BR B	B	105BR	12	590	26	645	480	231	270	675	675	35	520	1,195	1,195
MVE 17500/1N-FD-105BR B	MVE 17500/12N-FD-105BR B	B	105BR	12	590	26	645	480	231	270	675	675	35	520	1,195	1,195
MVE 19500/1N-FD-105BR B	MVE 19500/12N-FD-105BR B	B	105BR	12	590	26	645	480	231	270	675	675	35	520	1,225	1,225
MVE 25000/1N-FD-110BS B	MVE 25000/12N-FD-110BS B	C	110BS	16	640	26	700	520	250	330	675	675	45	559	1,234	1,234

Model		Drawing	Size	DIMENSIONAL SPECIFICATIONS (mm)												
50Hz	60Hz			Holes	B	F	A	C	D	D1	G		H	I	L	
										50Hz	60Hz			50Hz	60Hz	
MVE 2600/075N-FD-80AX A	MVE 3700/090N-FD-80AX A	A	80AX	6	355	22	400	302	130	177	399	399	28	501	900	900
MVE 3000/075N-FD-80AX A	MVE 4400/090N-FD-80AX A	A	80AX	6	355	22	400	302	130	177	459	459	28	521	980	980
MVE 6000/075N-FD-90BP A	MVE 8700/090N-FD-90BP A	B	90BP	12	500	22	560	400	180	260	441	441	30	460	901	901
MVE 7000/075N-FD-91BP A	MVE 10000/090N-FD-91BP A	B	91BP	12	500	22	560	400	180	260	488.5	488.5	30	523	1,011	1,011
MVE 14000/075N-FD-105BR B	MVE 14000/090N-FD-105BR B	B	105BR	12	590	26	645	480	231	270	675	675	35	520	1,195	1,195
MVE 17000/075N-FD-105BR B	MVE 17000/090N-FD-105BR B	B	105BR	12	590	26	645	480	231	270	675	675	35	520	1,225	1,225
MVE 22000/075N-FD-110BS B	MVE 22000/090N-FD-110BS B	C	110BS	16	640	26	700	520	250	330	675	675	45	559	1,234	1,234

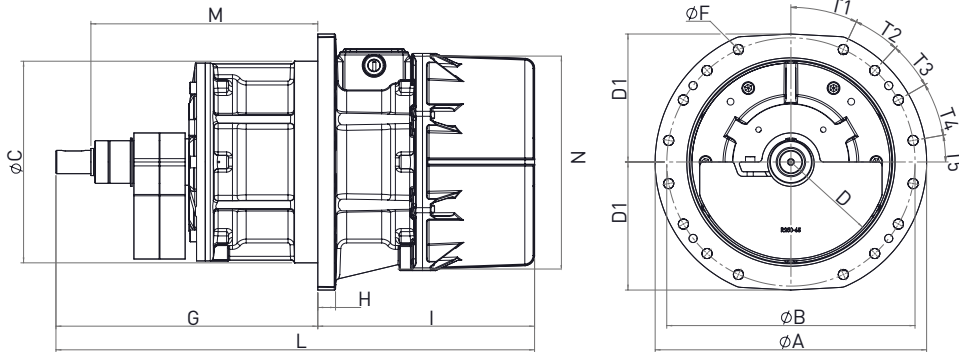
NOTE: Dimensions with coarse degree of accuracy related to UNI 22768/1

This information is provided without warranty, representation, inducement or licence of any kind. It is accurate to the best OLI knowledge or is obtained from sources believed to be accurate. OLI therefore assumes no legal responsibility. The latest and most updated information are available online.



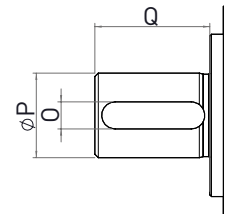
» Declaration of conformity "type B" according to: 2014/35/UE - 2006/42/EC - EN 60034-1  
 » Conform to UL1446 and CSA 22.2 No 0-10

C



**SHAFT EDGE**

TYPE	Q	O	Ø P
Tolerances	± 0.2	H8	g6



**DIMENSIONAL SPECIFICATIONS (mm)**

Model		M	N	O	P	Q	T1	T2	T3	T4	T5	Screw
50Hz	60Hz											
MVE 4500/1N-FD-80AX A	MVE 5200/12N-FD-80AX A	333	284	8	25	34	30	60	/	/	/	M20
MVE 5500/1N-FD-80AX A	MVE 6500/12N-FD-80AX A	333	284	8	25	34	30	60	/	/	/	M20
MVE 8500/1N-FD-90BP A	MVE 8500/12N-FD-90BP A	337	378	12	40	36	25	25	27.5	12.5	/	M20
MVE 10500/1N-FD-91BP A	MVE 12500/12N-FD-91BP A	392	378	12	40	36	25	25	27.5	12.5	/	M20
MVE 12500/1N-FD-91BP A	/	392	378	12	40	36	25	25	27.5	12.5	/	M20
MVE 15000/1N-FD-105BR B	MVE 15000/12N-FD-105BR B	585	495	18	60	90	40	20	20	10	/	M24
MVE 17500/1N-FD-105BR B	MVE 17500/12N-FD-105BR B	585	495	18	60	90	40	20	20	10	/	M24
MVE 19500/1N-FD-105BR B	MVE 19500/12N-FD-105BR B	585	495	18	60	90	40	20	20	10	/	M24
MVE 25000/1N-FD-110BS B	MVE 25000/12N-FD-110BS B	575	550	18	60	90	25	17.5	17.5	20	10	M24

**DIMENSIONAL SPECIFICATIONS (mm)**

Model		M	N	O	P	Q	T1	T2	T3	T4	T5	Screw
50Hz	60Hz											
MVE 2600/075N-FD-80AX A	MVE 3700/090N-FD-80AX A	333	284	8	25	34	30	60	/	/	/	M20
MVE 3000/075N-FD-80AX A	MVE 4400/090N-FD-80AX A	333	284	8	25	34	30	60	/	/	/	M20
MVE 6000/075N-FD-90BP A	MVE 8700/090N-FD-90BP A	337	378	12	40	36	25	25	27.5	12.5	/	M20
MVE 7000/075N-FD-91BP A	MVE 10000/090N-FD-91BP A	392	378	12	40	36	25	25	27.5	12.5	/	M20
MVE 14000/075N-FD-105BR B	MVE 14000/090N-FD-105BR B	585	495	18	60	90	40	20	20	10	/	M24
MVE 17000/075N-FD-105BR B	MVE 17000/090N-FD-105BR B	585	495	18	60	90	40	20	20	10	/	M24
MVE 22000/075N-FD-110BS B	MVE 22000/090N-FD-110BS B	575	550	18	60	90	25	17.5	17.5	20	10	M24



## CERTIFICATIONS

### Flanged Drive



Conformity with European Directive - Low voltage 2014/35/UE; Machine Directive 2006/42/EC; ATEX 2014/34/UE

CATEGORY	CERTIFICATIONS	INTERNATIONAL STANDARD	GAS	DUST
ATEX zone 22 Temperature range -20/+40 °C		EN 60079-0, EN 60079-31	n/a	II3D Ex tc IIIC T100 IP66
		UL 1446, CSA C22.2 NO 0-10	n/a	n/a



## APPLICATIONS

The FD series have been designed to be used on horizontal, inclined, mobile or stationary vibrating screens. In fact, thanks to their design and performance they can be used on many applications.

### LIST OF APPLICATIONS

- Circular / elliptical motion screen
- Circular motion inclined feeders
- Dewatering screen
- Scalping screen
- Vibrating machines and plants for aggregates, soil and minerals processing



Horizontal screen with two FD



## ADVANTAGES

### DRASTIC REDUCTION OF MAINTENANCE

Maintenance free. The FD series is greased for life, so periodic lubrication is no longer needed.

### PLUG & PLAY: EASY AND FAST

The installation of the FD vibrator on the application is very simple and its replacement is very quick.

### MODULARITY

The use of FD requires few structural elements: both design phase and construction are made simpler.

### BUILT TO LAST

The FD series has been designed and built with the aim of reaching a life time of more than 20,000 hours, in any condition.

### VERSATILE

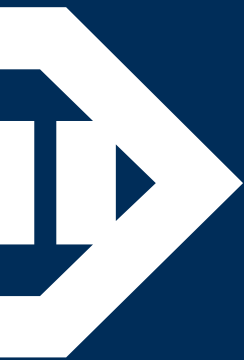
The FD series can be operated via VFD inverters, making it a versatile drive for screens.

### MVE-FD

PROBLEM SOLVING	Avoids the use of eccentric shafts with oil lubrication system.
-----------------	---

### FEATURES

INPUT VOLTAGE	400V (50Hz) or 460V (60Hz)
AMBIENT TEMPERATURE	-20 °C / + 40 °C
ENCLOSURE PROTECTION	IP 66
THERMAL PROTECTION	PTC Thermistor 130 °C
INSULATION CLASS	F



# WHEN YOU NEED IT, WHERE YOU NEED IT

## THE WORLDWIDE LEADER IN VIBRATION TECHNOLOGY



### OLI WORLDWIDE

OLI Australia	OLI Italy	OLI Russia
OLI Benelux	OLI Korea	OLI South Africa
OLI Brazil	OLI Malaysia	OLI Spain
OLI China	OLI Malta	OLI Thailand
OLI France	OLI Mexico	OLI Turkey
OLI Germany	OLI Middle East	OLI UK
OLI India	OLI Nordic	OLI USA
OLI Indonesia	OLI Poland	OLI Vietnam



DISTRIBUTED BY



PRODUCT » DENSITY » FLOW

### SERVICE & SUPPORT

Wangara, WA +61 8 9413 1100  
support@inquip.com.au  
inquip.com.au

