

Loss-In-Weight Feeding Systems

MBF-BE

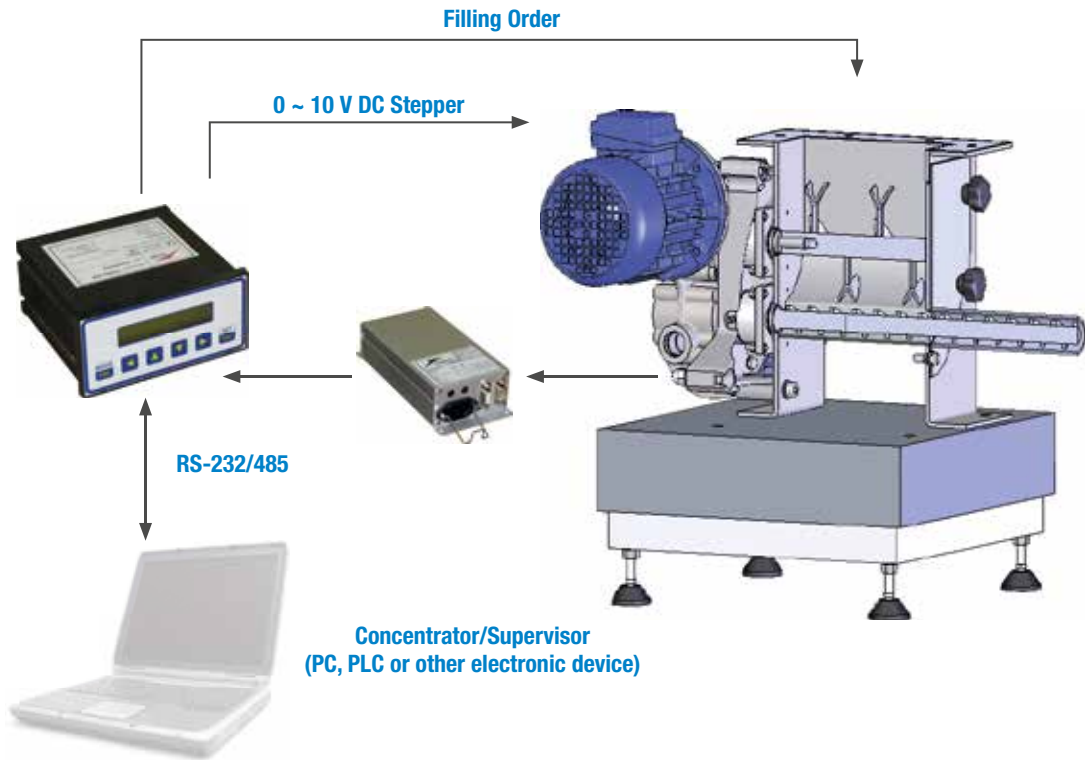


**VERSATILE AND
COST-SAVING**

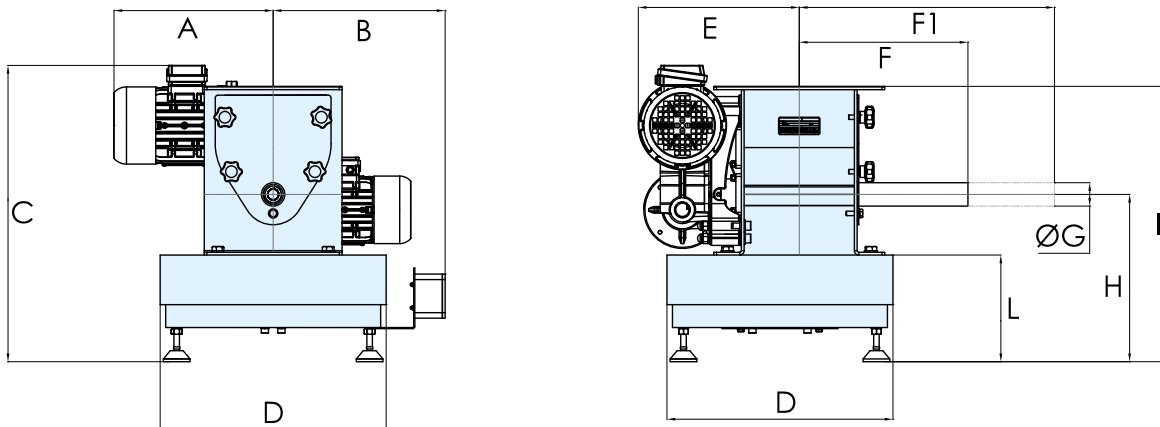
THE MOST VERSATILE AND COST-SAVING SOLUTION IN BULK SOLIDS FEEDING AND METERING

MBF-BE Loss-in-Weigh Feeders are made up of a Micro-batch Feeder with a food-grade body manufactured from stainless steel or SINT® engineering polymer, a stainless-steel feed pipe and drive guard as well as platform scales on a microprocessor-controlled load cell.

The system is able to correct any variation in weight over time adjusting the feed rate by varying the speed of both blending and feeding tool.



Overall Dimensions



MODEL	A	B	C	D	E	F	F1	ØG	H	I	L
MBF-BE 042	298	312	538	410	292	306	476	42	304	500	194
MBF-BE 073	335	372	570	510	417	435	685	76	333	685	199
MBF-BE 114	335	372	589	510	417	435	685	114	333	703	199

Dimensions in mm

Benefits



Simplifies automation of the feeding process



Easy to use, clean and maintain



Minimum downtime during change of material



Quick integration into new or existing production processes



Highly reliable and durable



Optimum price-performance ratio



Technical support and worldwide availability of spare parts thanks to the WAMGROUP® subsidiary network

Technical Features

- Continuous real-time controlling and adjustment depending on material weight and flow;
- Feeding accuracy between 0.5 and 1.0%;
- Sturdy, compact system with contact surfaces manufactured from high-quality materials;
- Interchangeability of standard components and accessories within the WAM® micro-batch feeder range;
- Suitable for installation in battery configuration;
- Micro-batch Feeder available with ATEX-certification;
- Feed hoppers having different geometry and volume.



Accessories

- Electronic control and converter
- Vertical feeder outlet with pneumatic shut-off valve



Application



203001741 April 2021 Rights reserved to modify technical specifications.



This brochure has been edited for distribution in European Union countries.



www.wamgroup.com