

## K-Return Disc Idlers

K-Return Disc Idler



K-Vee Return Disc Idler - Polyurethane



K-Vee Return Disc Idler - Rubber



### Low Maintenance, Effective Belt Alignment

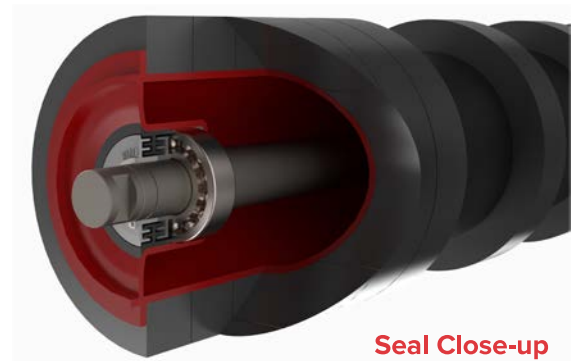
**K-Return Disc Idlers** operate by utilising durable rubber or polyurethane discs positioned at regular intervals to effectively eliminate roller build up by breaking up the material which is normally in the centre of the belt. These discs are bunched together at both ends of the idler to provide support and protection to the belt edges.

The K-Return Disc Idlers tolerate a limited amount of belt drift. The ideal application for K-Return Disc Idlers are for wet, sticky or abrasive materials that adhere to the belt surface.

The rubber or polyurethane discs avoid the build-up of material that can be deposited onto the roller surface, causing the roller diameter to form an irregular and changing shape. This is often a major cause of belt mistracking or alignment.

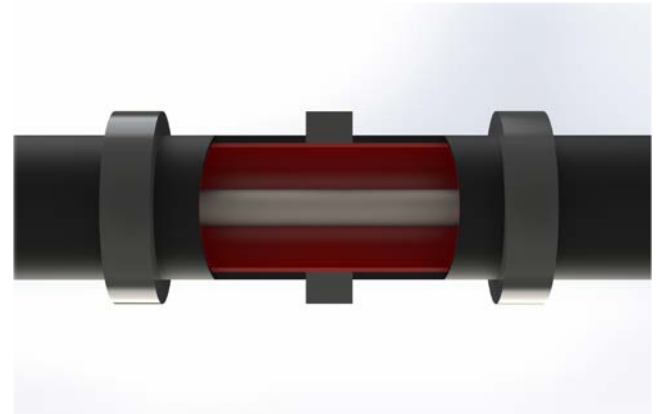
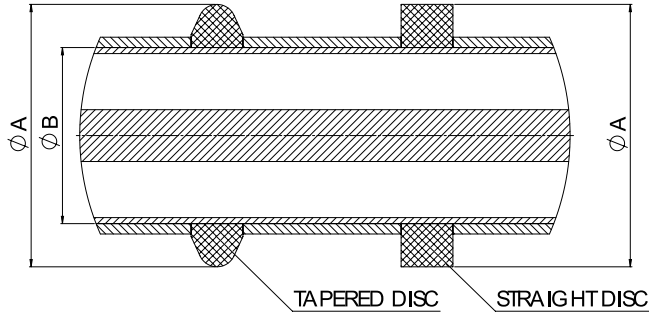
Easily cleaned, the K-Return Disc Idler is a low maintenance reliable solution to this common conveyor problem.

For high speed, wear areas and highly abrasive applications where excessive roller shell wear is an issue. Polyurethane discs or full polyurethane shell covering is an excellent alternative to a plain steel shell or rubber disc return rollers.



Seal Close-up

## K-Return Disc Idlers



		DISC OUTER DIAMETER ( $\phi A$ )								
		89	102	108	114	127	133	152	159	165
STEEL SHELL DIAMETER ( $\phi B$ )	51	T								
	60	S/T	S		S	S				
	76			T	S					
	89					S	S/T	S/T		
	102							S		
	108							S	S	
	127									S

**S = "STRAIGHT" STYLE DISC AVAILABLE T = "TAPERED" STYLE DISC AVAILABLE**

