

Septage Receiving Stations VFA DM



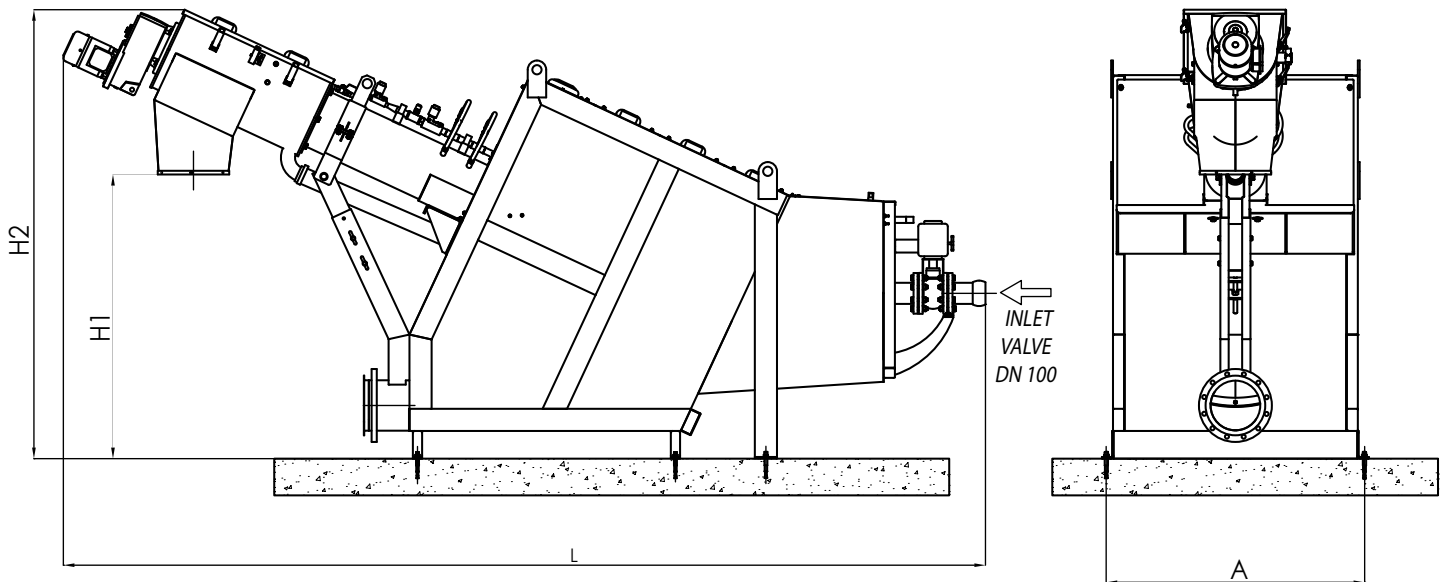
THE NEW GENERATION OF SEPTAGE RECEIVING STATIONS: THE BEAST

VFA DM Septage Receiving Stations consist of a dual motor drive system, a perforated plate drum screen complete with screw conveyor, and a compaction zone, all installed in a tank.

VFA DM Septage Receiving Stations are not only used for septage treatment but also for FOG and digester/sludge cleaning. The station screens, washes, conveys, and dewateres screenings all in one unit, thus eliminating the need for multiple pieces of equipment.



Overall Dimensions



MODEL	TOTAL WIDTH A mm	TOTAL LENGTH L mm	DISCHARGE HEIGHT H1 m	TOTAL HEIGHT H2 mm	OUTLET	WASH WATER CONSUMPTION	DRUM POWER kW	SPIRAL DRIVE POWER kW
VFA 800 DM	1,100	5,000	1,500	2,400	DN 200	120 l/min at 5 bar	1.1	1.1
VFA 1200 DM	1,400	5,000	1,600	2,500	DN 250	150 l/min at 5 bar	1.5	1.5
VFA 1400 DM	1,600	5,600	1,800	2,700	DN 250	200 l/min at 5 bar	1.5	1.5

For reference only: for detailed drawings please contact the manufacturer

Benefits

- ✓ Dual motor drive system – drum and auger driven independently
- ✓ 4 RPM drum speed and 10 RPM auger speed maximising cleaning efficiency and solids removal
- ✓ 25-degree incline angle increases solids capacity
- ✓ No sediments thanks to special tank design
- ✓ Extended hopper increases solids capturing efficiency
- ✓ Absence of lower drum support arm eliminates rag accumulation



Technical Features

- 3 sizes available
- Solids concentration up to 2-3%
- Dual motor drive system
- Drum screen round hole openings 5.0 – 6.0 mm
- Drum screen incline angle: 25 degrees
- Frame manufactured from 304 L / 316 L SS
- Spiral manufactured from special ST 52 steel, optionally 304 L / 316 L SS

MODEL	FLOW RATES - m ³ /h	COMPACTION PERCENTAGE
VFA 800 DM	100	30%
VFA 1200 DM	150	30%
VFA 1400 DM	200	30%

Accessories

- Bagging device

Application



202001302 April 2018 Rights reserved to modify technical specifications.

This brochure has been edited for distribution in European Union countries



SAVECO™
Member of WAMGROUP®



22 Beneficial Way Wangara WA 6065 ☎ (08) 6314 1100
🌐 inquip.com.au ✉ info@inquip.com.au
ABN 15 130 794 151

INQUIP®
BULK MATERIAL
& DUST HANDLING

PRODUCT » DENSITY » FLOW