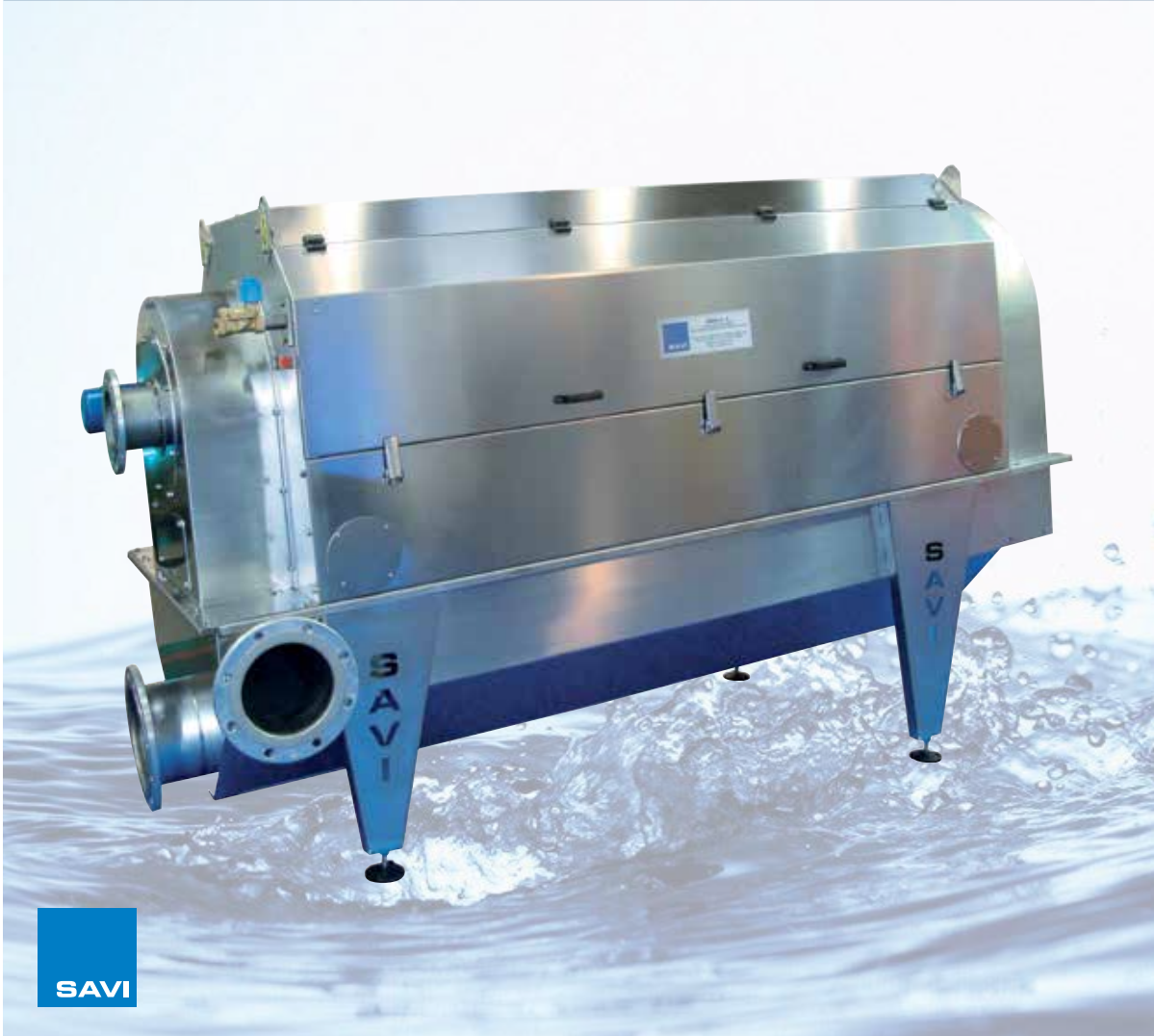


Internally Fed Rotating Drum Screens RTV

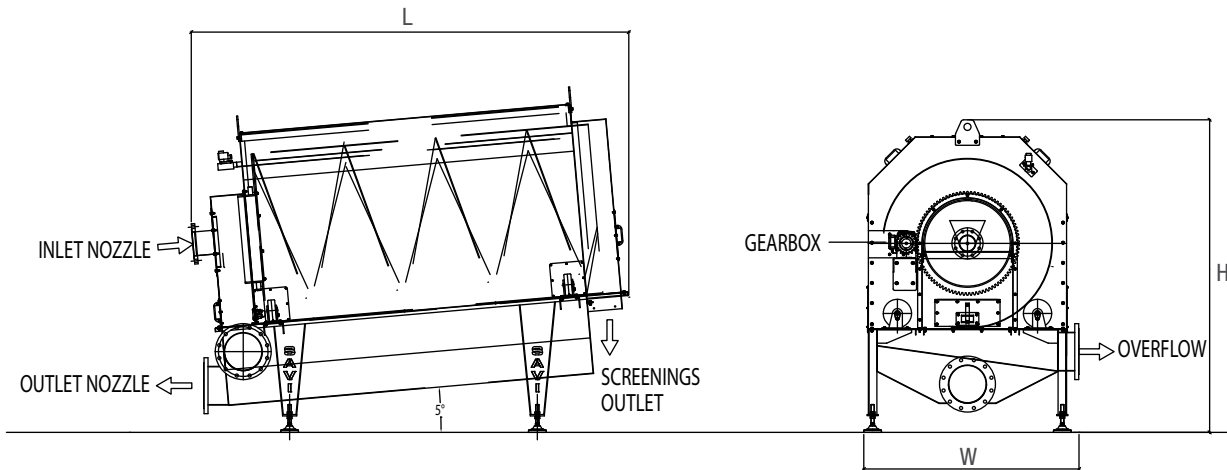


HIGH CAPTURE RATIO IN A COMPACT FOOTPRINT

RTV Internally Fed Rotating Drum Screens are suitable for pre-treatment of both municipal and industrial waste water, as well as MBR plants. RTV Drum Screens are made up of a tank and a spiral applied to the drum for conveying of screenings. The drum is manufactured from a perforated stainless steel sheet. The filter is fed through a nozzle placed on the machine inlet. It is cleaned by means of a washing system made up of a tube equipped with pressurised water spray nozzles.

During operation, water is conveyed towards the outlet placed in front of the machine, while screenings are conveyed by the spiral to the outlet at the back of the screen. A special 5-degree incline angle towards the outlet contributes to dewatering the screenings while they are conveyed. The screen is equipped with by-pass nozzles which protect the filter from overflow.

Overall Dimensions



RTV - INTERNALLY FED ROTATING DRUM SCREEN

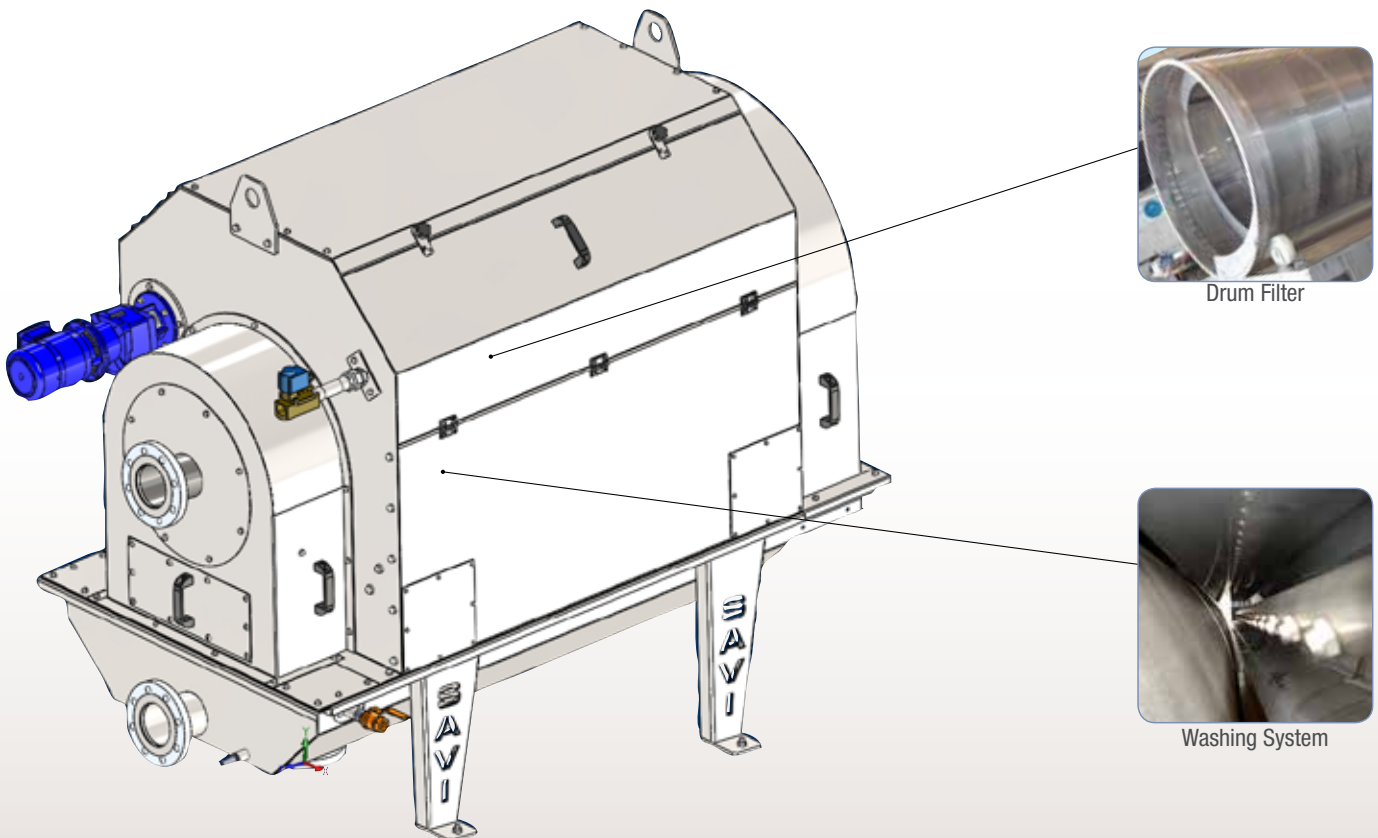
MODEL	TOTAL WIDTH W mm	TOTAL LENGTH L mm	TOTAL HEIGHT H mm	INLET DN - PN 10	OUTLET DN - PN 10	OVERFLOW DN - PN 10	DRIVE POWER kW
RTV 500X1000	1,000	1,800	1,250	80	150	ND	0.37
RTV 500X1500	1,000	2,400	1,250	80	150	ND	0.37
RTV 900X1000	1,200	2,200	1,780	100	150	100	0.37
RTV 900X1500	1,200	2,650	1,820	100	150	100	0.37
RTV 900X2000	1,200	3,200	1,860	150	200	150	0.37
RTV 1200X2000	1,500	3,300	2,000	200	250	200	0,75
RTV 1200X3000	1,500	4,300	2,200	250	300	250	0.75
RTV 1500X2000	1,800	3,500	2,600	300	350	300	0,75
RTV 1500X2500	1,800	4,000	3,000	300	350	300	0.75
RTV 1500X3000	1,800	4,500	3,500	300	350	300	0,75
RTV 1500X4000	1,800	5,500	4,500	350	400	350	0.75

Benefits

- ✓ High solids capture efficiency
- ✓ Appropriately placed flight segments constantly conveying solids towards discharge point
- ✓ Pivots fully adjustable and replaceable without removing screen cylinder
- ✓ External spray bar and brush preventing solids accumulation on external screen surface
- ✓ Screen design without running seals
- ✓ Low energy consumption and reduced maintenance

Technical Features

- 11 different sizes available
- Headbox for high flow rates (option)
- Recommended spacing for MBR application: 1 ~ 3mm
- Mesh opening 0.25 ~ 1mm
- Filter opening sizes (other than MBR use): 5.0 – 6.0 mm round holes
- Full covering ensuring safe, dry, odour-free operation
- Screen manufactured from 304 L / 316 L SS
- Control panel (option)



Accessories

- High flow headbox
- Solenoid valve
- Conductive probe for overflow

Application



203001300 April 2018 Rights reserved to modify technical specifications.

This brochure has been edited for distribution in European Union countries



SAVECO™
Member of WAMGROUP®



22 Beneficial Way Wangara WA 6065 ☎ (08) 6314 1100
🌐 inquip.com.au ✉ info@inquip.com.au
ABN 15 130 794 151

PRODUCT » DENSITY » FLOW