

Externally Fed Drum Screens SGR



SAVI

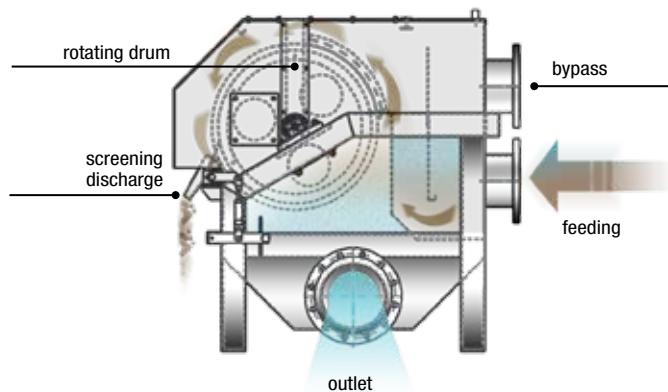
COMPACT AND STURDY: THE PERFECT CHOICE

SGR Externally Fed Drum Screens are used for fine screening of sewage from both industrial and municipal purification plants. Alternatively, they are used for screening of process water from industrial processing plants.

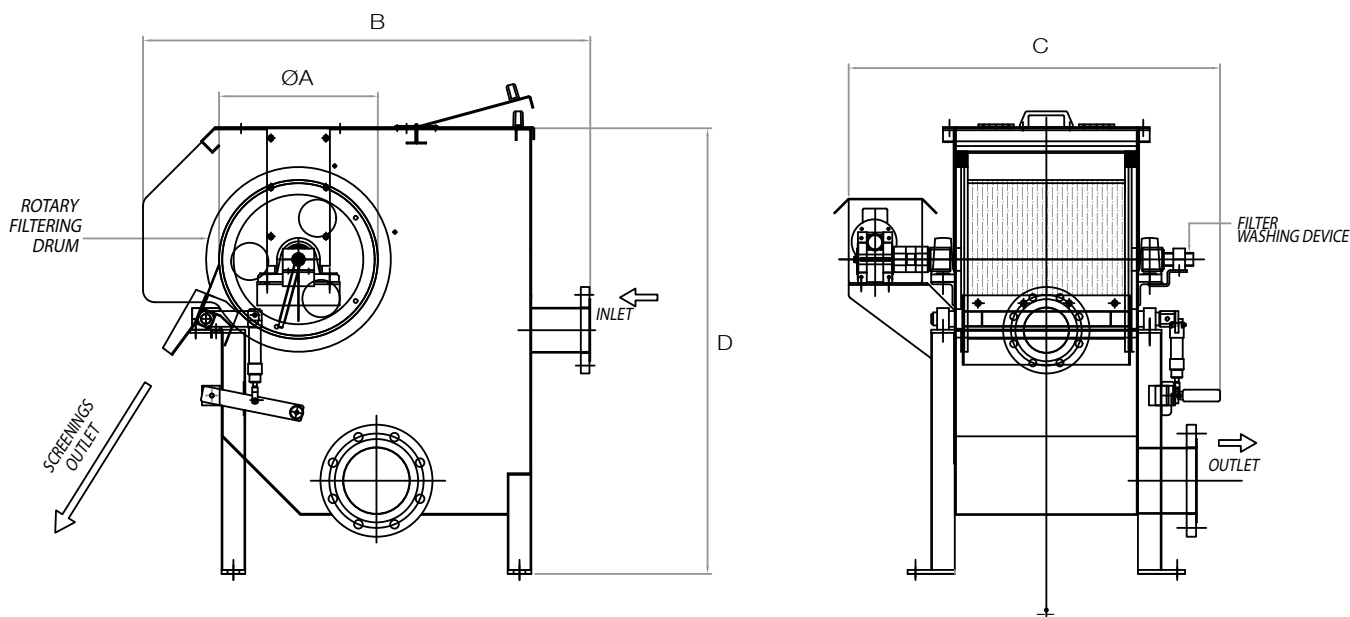
Waste water is conveyed through a distributor onto the external surface of the drum screen.

The side sealing consists of nylon sliding blocks. Solids are retained on the external surface of the drum screen and subsequently discharged. The drum is cleaned by means of a brass plate.

After passing through the inside of the drum screen, clean water is collected on the bottom of the tank and discharged through a nozzle. Rotation of the filter occurs by coupling connection to a gear reducer mounted at the end of the drum. At the opposite end a cleaning system is installed.



Overall Dimensions



MODEL	FILTERING DRUM DIAMETER ØA [mm]	TOTAL WIDTH B [mm]	TOTAL LENGTH C [mm]	TOTAL HEIGHT D [mm]	INLET [DN] - PN 10	OUTLET [DN] - PN 10	DRIVE POWER [kW]
SGR 4040	400	945	1,140	1,135	100	150	0.25
SGR 6060	600	1,210	1,430	1,500	200	250	0.37
SGR 6090	600	1,510	1,430	1,500	200	250	0.37
SGR 6150	600	2,140	1,430	1,500	250	300	0.55
SGR 6180	600	2,440	1,430	1,500	300	400	0.55
SGR 9300	900	3,830	2,080	1,570	no. 2 x 350	op 500 x 2,000	1.10

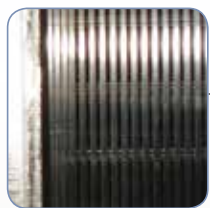
For reference only; for detailed drawings please contact the manufacturer

Benefits

- ✓ Compact design, easy to install in narrow spaces / aerial channels
- ✓ High flow rates
- ✓ Self-cleaning
- ✓ User-friendly
- ✓ Low energy consumption and limited maintenance

Technical Features

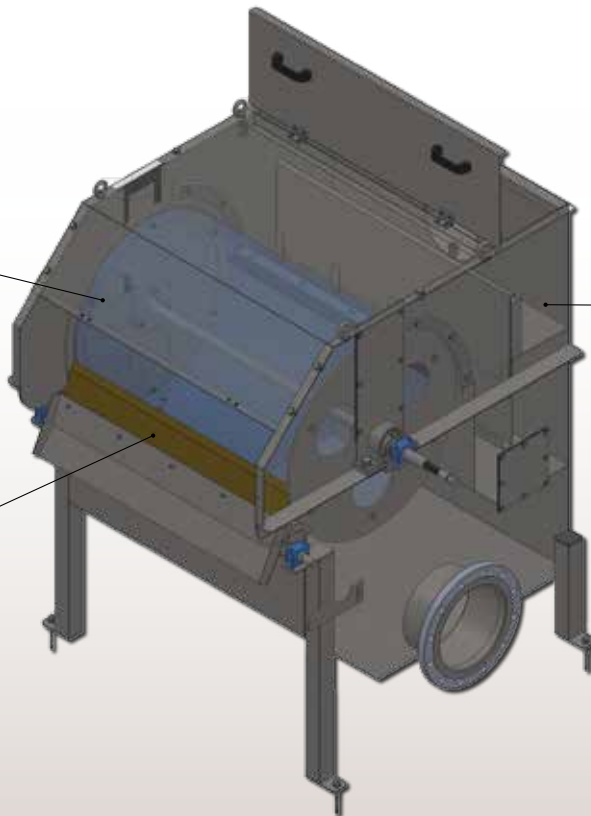
- Slot width: 0.25 ~ 2.50 mm
- Wedge wire filter with so-called “slot zero” to ensure drum resistance
- Screen in 304 L / 316 L SS



Zero Slot



Cleaning Blade



By-pass (option)

OPENING SIZE [mm]	PEAK FLOW RATE WITHOUT OVERFLOW [m³/h]							
	0.25	0.50	0.75	1.00	1.25	1.50	2.00	2.50
SGR 4040	10	15	15	20	25	30	35	40
SGR 6060	60	110	140	180	200	220	240	260
SGR 6090	90	150	210	260	300	340	360	370
SGR 6150	120	210	280	350	390	440	465	480
SGR 6180	180	300	420	500	580	650	700	720
SGR 9300	400	700	1,000	1,200	1,400	1,600	1,900	2,100

OPENING SIZE [mm]	PEAK FLOW RATE WITH OVERFLOW [m³/h]							
	0.25	0.50	0.75	1.00	1.25	1.50	2.00	2.50
SGR 4040	7	10	10	14	18	21	25	28
SGR 6060	42	77	98	126	140	154	168	182
SGR 6090	63	105	147	182	210	238	252	259
SGR 6150	90	158	210	262	292	330	349	360
SGR 6180	135	225	315	375	435	487	525	540
SGR 9300	320	560	800	960	1,120	1,280	1,520	1,680

Accessories

- Teflon cleaning blade

Application



203001.301 April 2019 Rights reserved to modify technical specifications.

This brochure has been edited for distribution in European Union countries



SAVECOTM
Member of WAMGROUP[®]



**BULK MATERIAL
& DUST HANDLING**

PRODUCT » DENSITY » FLOW

22 Beneficial Way Wangara WA 6065 ☎ (08) 6314 1100
🌐 inquip.com.au ✉ info@inquip.com.au
ABN 15 130 794 151