

FLOW INTERCEPTION

DISTRIBUTED BY
INQUIP
BULK MATERIAL
& DUST HANDLING
PRODUCT » DENSITY » FLOW



Diverter Flap Valves

DVA

SERVICE & SUPPORT

Wangara, WA +61 8 9413 1100
support@inquip.com.au
inquip.com.au



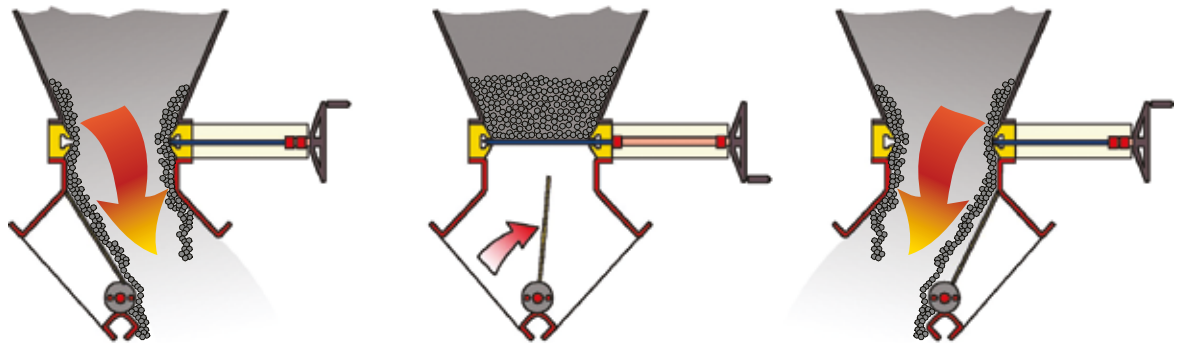
EFFICIENT FLOW DIVERSION OF POWDERS OR GRANULES

DVA-type Diverter Flap Valves consist of a casing made up of two high-pressure die-cast aluminium alloy semi-bodies lined with SINT® engineering polymer, and a flap coated with the same material. The valve is activated by a manual lever, or a pneumatic or electric actuator.

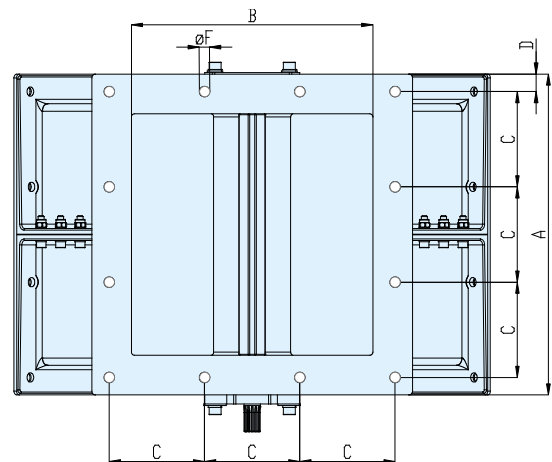
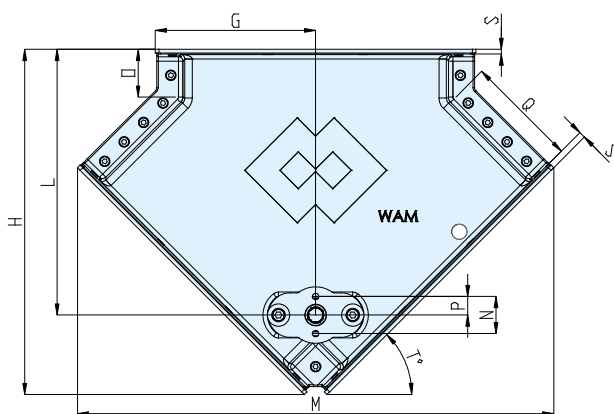
Powdery or granular material enters via the inlet on the top and, depending on the position of the flap, is passed on for further processing via one of the two outlets arranged at an oblique angle.

The polymer material used enables quick cleaning and maintenance and additionally offers high resistance to abrasion.

DVA Diverter Flap Valves ensure efficient flow diversion in a variety of industrial processes.



Overall Dimensions



CODE	A	B	C	D	Ø F	G	H	L	M	N	O	P	Q	S	T	kg
DVA 150	260	175	115	15	14	130	312	221	399	50	65	25	100	10	45°	13
DVA 200	310	225	93	15	14	155	357	267	470	50	66	25	113	10	45°	17
DVA 250	360	275	110	15	14	180	403	312	538	50	66	25	125	10	45°	21
DVA 300	432	325	128	24	14	217	465	358	641	50	67	25	153	10	45°	24

Dimensions in mm

Benefits



Dustproof sealing



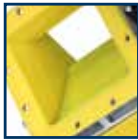
Excellent price-performance ratio



Highly flow-favourable and wear-resistant




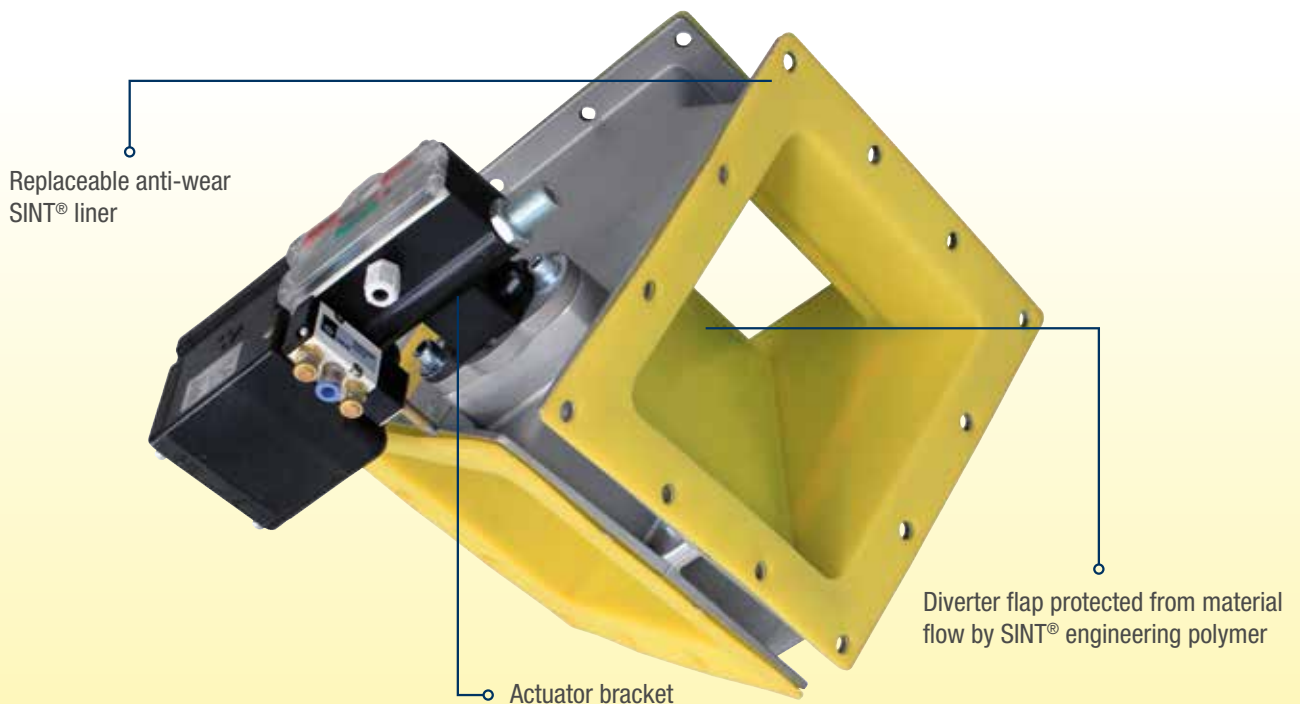
Minimised maintenance and easy access for parts replacement



Elastic outline of the SINT® flap guarantees material flow without particle breakdown, grinding or jamming

Technical Features

- Replaceable SINT® engineering polymer body liner
- Plastic on plastic contact between housing and flap ensuring dustproof sealing
- Hand lever, pneumatic or electric actuator
- Food-grade version on request 



Industries



Plastics Processing



Chemicals



Dry-Mix Processing



Glass Processing



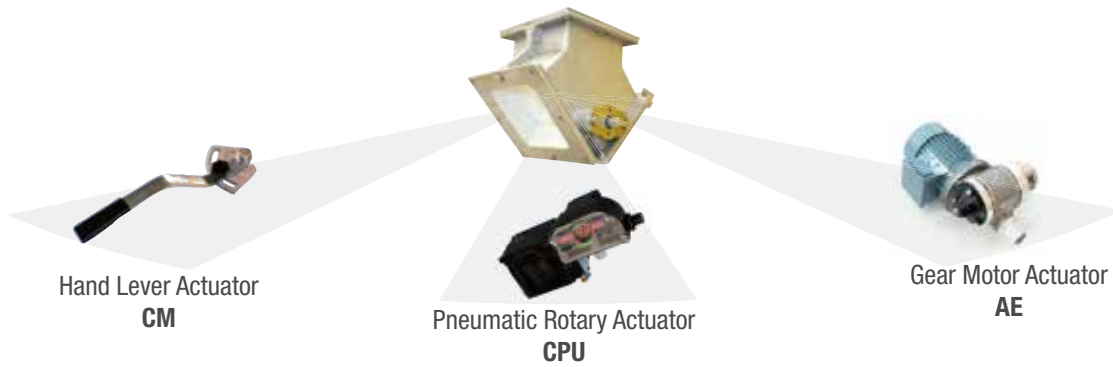
Flour Milling

Application



ACTUATOR COMPATIBILITY

For further details refer to Technical Catalogue



203001736 April 2021 Rights reserved to modify technical specifications.

This brochure has been edited for distribution in European Union countries.



www.wamgroup.com