

BULK HANDLING EQUIPMENT

Stainless Steel Tubular Screw Conveyors

TX



TOP QUALITY FINISHING

TX Stainless Steel Tubular Screw Conveyors offer a variety of solutions for conveying or feeding powdery or granular materials. They are suitable for applications in which any contamination of the material handled has to be strictly avoided and where absolute cleanliness and perfect resistance to corrosion are required. In particular, TX Stainless Steel Tubular Screw Conveyors are used in environmental technology, in flour and animal feed milling, in food processing and packaging, in plastics and chemicals, as well as in the pharmaceutical industry.

Technical Features

- Standard 304 L or 316 L stainless steel
- End bearing assemblies with shaft, roller bearings and externally adjustable packing glands
- Intermediate hanger bearings complete with shaft and self-lubricating, durable slide bushes
- External shaft couplings
- Minimised residue
- Food-grade finishing (surface roughness < 0.8 µm)
- Variable pitch flight

Benefits

- ✓ **Minimum residue;**
- ✓ **High feeding precision;**
- ✓ **Extended durability;**
- ✓ **Heavy-duty end bearing assemblies designed and manufactured by WAM® to meet highest industrial standards;**
- ✓ **Wide range of adjustable shaft seals with packing glands or air/gas-purged.**

Configuration



Shaft coupling



End bearing assembly with adjustable packing gland



Cylindrical flanged inlet spout

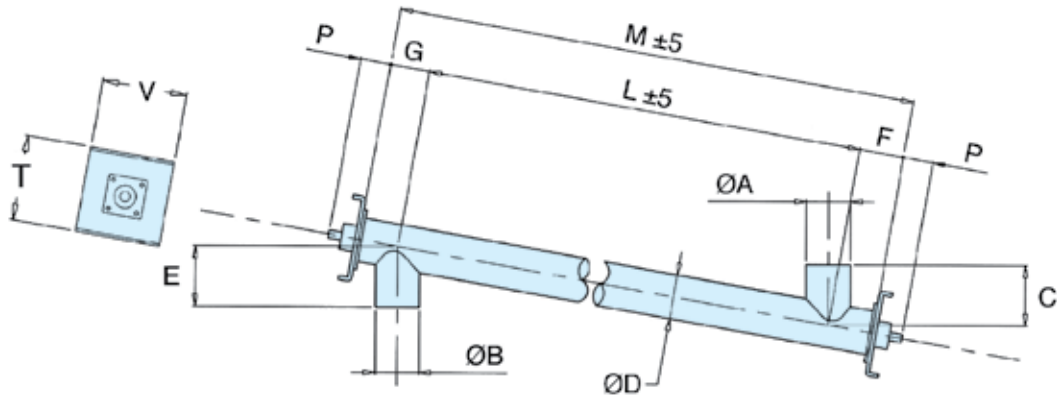


Standard outlet spout



Chain transmission drive

Overall Dimensions

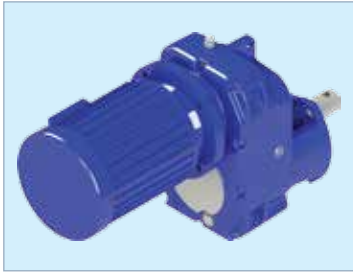


Type	100	120	150	200	250	300	350	400	500
Ø A	114	139	168	219	273	323	406	457	558
Ø B	114	139	168	219	273	323	406	457	558
C	1)								
Ø D	114	139	168	219	273	323	406	457	558
E	D								
F	140	140	160	180	220	220	270	280	340
G	120	120	140	160	180	220	280	320	360
L	2)								
M	L+F + G								
P	114	114	124	124	124	124	151	151	162
T	280	280	280	355	410	465	535	590	740
V	265	265	265	315	365	435	485	540	655

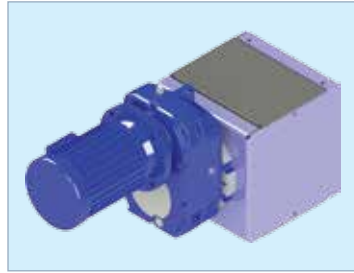
1) See inlet/outlet spouts in catalogue

2) Rounded up to 10 mm

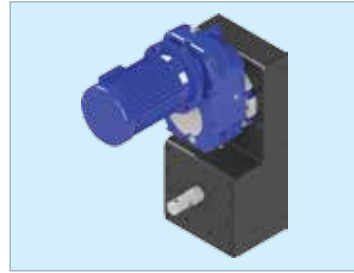
Dimensions in mm



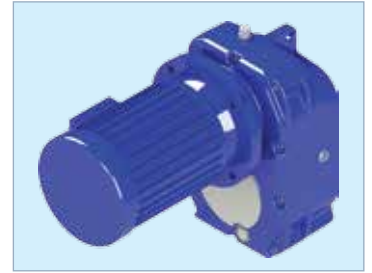
Direct drive



Flexible coupling



Chain transmission



Hollow shaft drive

Accessories



Tapered inlet spout



Shoe inlet



Square or rectangular inlet spouts

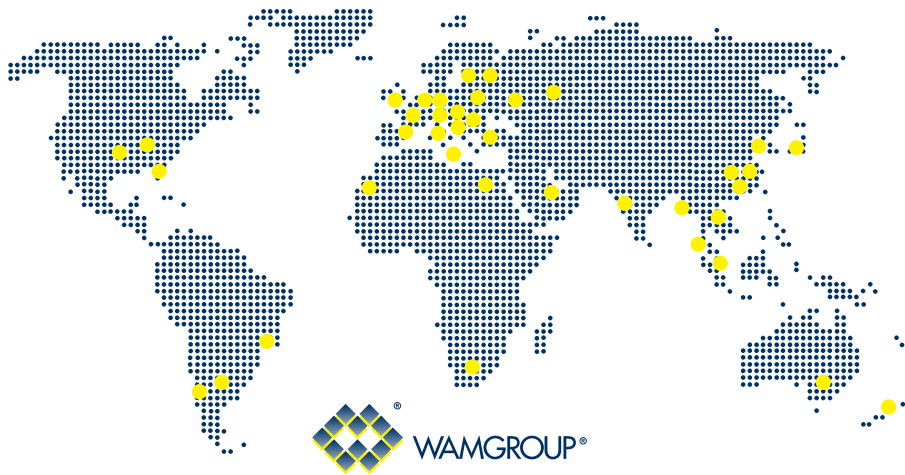


Inspection hatch



Flow regulator

Application



203001156 September 2015 Rights reserved to modify technical specifications.

