

## Tru-Trac® Conveyor Belt Tracking System

Tru-Trac® Conveyor Belt Tracking System is an innovative and versatile mechanism, which will operate with all belt types and environments in both wet and dry conditions. The range covers solutions for trough (load carrying) and return types on slow moving, reversible, high speed and high load belts.

The internal vertical pivot axis unique tracking action causes the unit to “kick in” immediately the belt starts to drift off centre. It does not rely on belt edge contact.

The Tru-Trac® incorporates a rubber covered crown face which causes the drum to pivot about the perpendicular axis and this results in the tracking action always being on the same horizontal plane as the belt.

### Key Benefits:

- Suitable for wet and dry conditions.
- Requires minimum force to activate.
- Does not rely on belt edge contact.
- Simple to install.
- Maintenance free.
- Adjustable mounting brackets.



## Tru-Trac® Conveyor Belt Tracking System

### Trough Tracker

Specifically designed for the load carrying side. Wing rollers are incorporated into the standard pivot system. Suitable for all trough angles from 15 to 45 degrees. The unit utilises the centre roller to steer where the most effective steering forces are exerted. *Heavy Duty, Taper and Load Trough Tracker models also available.*

### Flat Return Tracker

Works well with reversible and shuttle conveyors and suitable for belt speeds up to 7 metres per second. *Heavy Duty and Polyurethane Flat Return Tracker models also available.*

### Dual Return Tracker

Designed to accommodate excessive forces encountered with wide belts and heavy loads, two separate tapered rollers are mounted onto the pivot mechanism. *Polyurethane and Compact Dual Return Tracker models also available.*

Other models available include:

- Flat Low Speed Trackers (single and dual)
- V-Return Trackers



## Tru-Trac® Conveyor Belt Tracking System

### Guidelines for Installation:

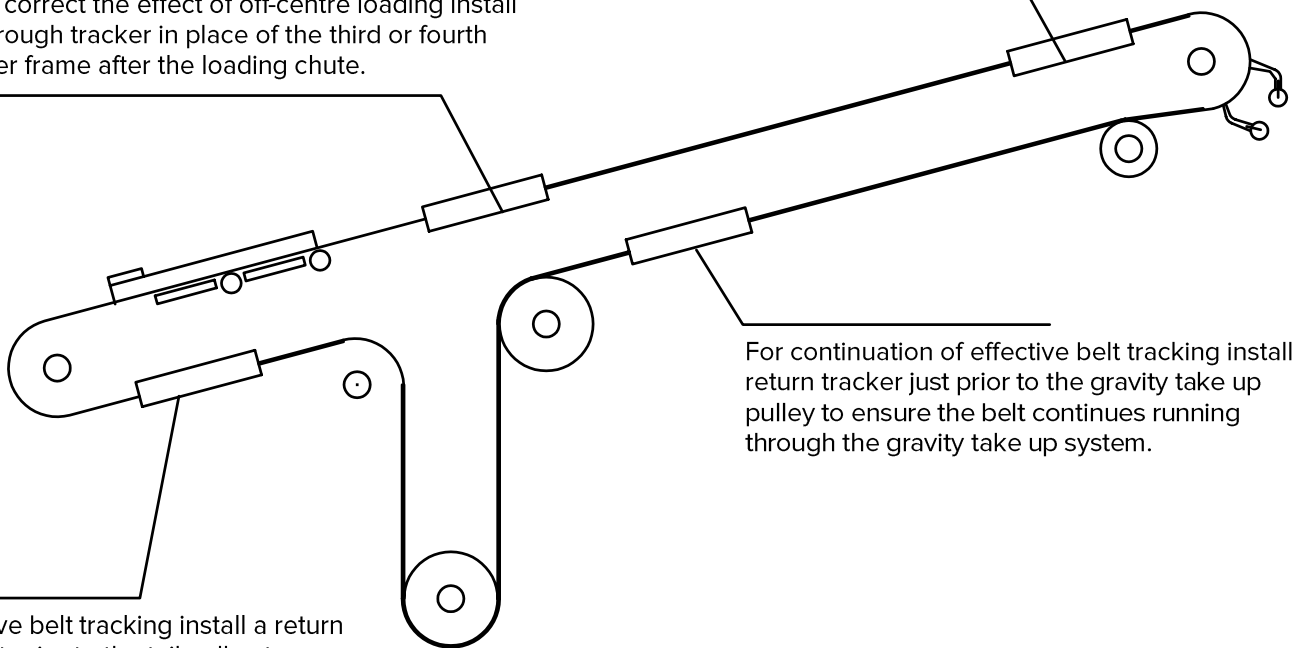
- Only required where misalignment occurs. As a general rule one unit is sufficient to align 50 metres of belt. On very long belts spacing may be increased up to 100 metres.
- One unit is needed to keep the belt running centre through the gravity take up.
- Works equally well with reversible and shuttle conveyors.

To correct the effect of off-centre loading install a trough tracker in place of the third or fourth idler frame after the loading chute.

To ensure that the belt enters the head pulley centralised install a trough tracker before the transition idler frame.

For continuation of effective belt tracking install a return tracker just prior to the gravity take up pulley to ensure the belt continues running through the gravity take up system.

For effective belt tracking install a return tracker just prior to the tail pulley to ensure the belt is centralised on entry.



## Tru-Trac® Conveyor Belt Tracking System

### TRU-TRAC SELECTION CRITERIA

#### Deciding between a Single Flat Return Heavy Duty OR Dual Flat Return design

| Selection criteria           | Flat Return Heavy Duty           | Dual Return          |
|------------------------------|----------------------------------|----------------------|
| Type of Belt                 | Fabric                           | Steel Cord Belt      |
| Belt Width (mm)              | 1350, to 1500                    | 1200 to 2100         |
| Belt Speed                   | 1 - 4,5 m/s                      | More than 4,5 m/s    |
| Belt Thickness               | Less Than 20 mm                  | More Than 20 mm      |
| Belt Weight per square meter | Less Than 23 Kg                  | More Than 23 Kg      |
| Severity of mistracking      | Belt does not mistrack too badly | Belt mistracks badly |

**Note :**

1. The Flat Return Table, only applies to belt widths of 1350 mm to 1500 mm.
2. Choose Dual Return design if you answer YES to any 2 points in the Dual Return Column.

#### Deciding between a Dual Flat Return OR Heavy Duty Dual Flat Return design

| Selection Criteria           | Dual Return - Standard<br>(Roller bearing + Rubber) | Dual Return - <b>Heavy Duty</b><br>(Thrust bearings + Polyurethane) |
|------------------------------|---|---|
| Type of Belt                 | Steel Cord Belt / Fabric                            | Steel Cord Belt   |
| Belt Width (mm)              | 1600 - 1800   | 1100 - 3300   |
| Belt Speed                   | Less than 4,5 m/s                                   | 5 m/s +   |
| Belt Thickness               | Less Than 20 mm                                     | 20 mm +   |
| Belt Weight per square meter | Less Than 23 Kg                                     | More Than 23 Kg   |

**Note :**

1. Choose Dual Return **Heavy Duty** design, if you answer YES to any 2 points in the Dual Return - Heavy Duty Column.
2. Choose Dual Return **Heavy Duty** design if the environment is very corrosive/extreme or if there will be heavy side thrust on the tracker.