

SAFETY NOT RETURN VALVES CERTIFIED

CE 0477 EUT 14 ATEX 1954 Ex II D



SNR Ø160-700mm

The safety not return valves $\varnothing 160 \div 700$, are **CERTIFIED ATEX EN 16447** against the propagation of the explosion in the suction's line. They are the sure solution to isolate the environments in case of explosion in the equipment of suction stopping the explosive effect in the suction's line. They are built in carbon steel painted standard **RAL 3020** or in stainless steel AISI 304, welded in all the unions and reinforced structure to sustain an high pressure, standard production up to the $\varnothing 180$ mm with edges for fixin with clips, from $\varnothing 200$ mm equipped with flanges and counterflanges our standard. A seal ensures held in closed position.

TECHNICAL DATA:

Application class: 3 (Kst max 400 bar m/s)

Pred 0,5 bar (72,5 PSI)

Maximum speed of air: 30m/s

Application zone 20-21-22 (internal); 21-22 (external)

Minimum installation distance from a possible source of explosion: 1 meter for kst till 200; 2 meters kst 200 ÷ over

Max distance: meters 2 / 3

Maximum pressure of work 50.000 Pa

Suction decrease: 10mm H₂O till $\varnothing 400$; 16mm H₂O till $\varnothing 700$

ACCESSORIES ON DEMAND

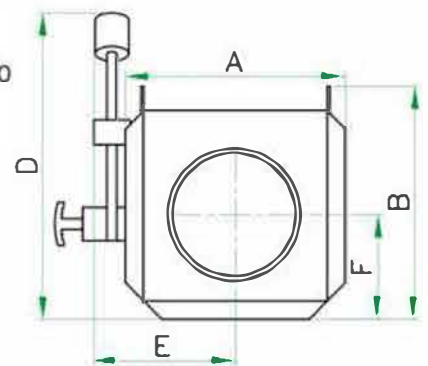
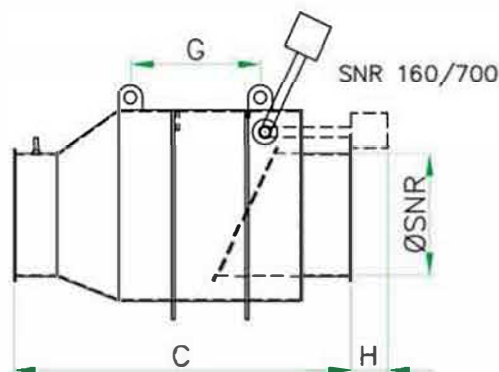
Safety anti opening block

Microswitch close position

Capacitive sensor of inside material stopped

Gasket in siliconcell

Ø SNR	A	B	C	D	Kg.
Ø 160	320	305	510		20
Ø 180	350	325	530		20
Ø 200	370	345	550		20
Ø 250	420	395	600		25
Ø 300	470	445	670	200	38
Ø 350	520	495	720	200	45
Ø 400	570	545	770	250	54
Ø 450	620	595	820	300	68
Ø 500	670	645	870	400	80
Ø 550	720	695	920	300	100
Ø 600	770	745	970	350	115
Ø 650	820	795	1020	400	125
Ø 700	870	845	1070	460	135



Distributor: