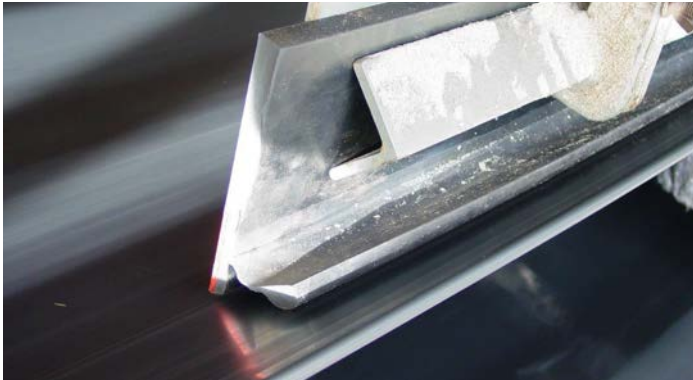


K-Skirting Seal



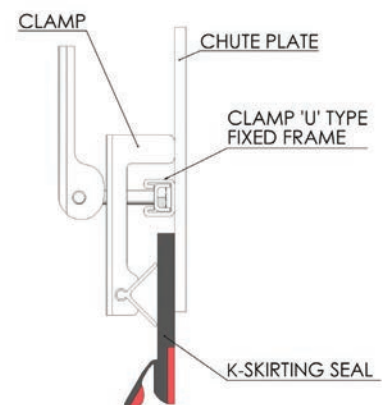
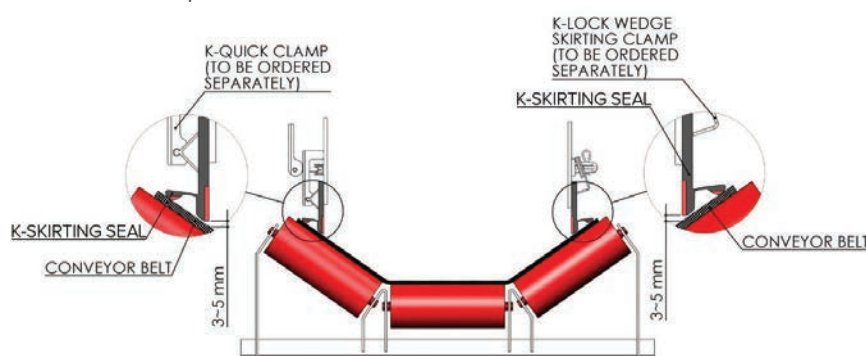
To ensure a proper seal, conveyor skirting rubber must be adjusted constantly to prevent dust leakage. Kinder & Co's K-Skirting Seal overcomes the requirements of skirt maintenance and replacement by its unique design features.

The K-Skirting Seal has a double layer of skirting rubber compounded from polyurethane and rubber. The interior wear resistant layer of polyurethane exceeds the wear life of traditional rubber-only skirting, whilst the outer anti-dust integral moulding can adapt to belt vibration and maintain the correct pressure to effectively seal the belt. Overall the K-Skirting Seal saves on maintenance time and belt repair costs.

When installed the inner body of the K-Skirting Seal is adjusted so that it clears the belt surface by between 3 to 5 mm. The dimensions are 150 mm x 15 mm and it comes supplied in a 10 metre roll.

Key Benefits

- Reduces dust leakage
- Wear resistant
- Low contact pressure
- Long life
- Belt friendly



Part Number	Description	Weight (kg)
K-SKI-KSSPOLY-R	K-Skirting Seal Polyurethane Skirting (15mm x 150mm x 10m Roll)	35