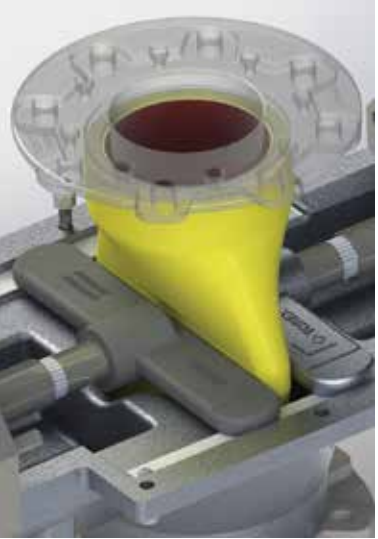


Mechanical Pinch Valves

VMM



HIGH PERFORMANCE SHUT-OFF VALVE FOR PNEUMATIC CONVEYING SYSTEMS FOR POWDERS, GRANULES OR DENSE MIXTURES

VMM Pinch Valves are used for material flow interception in pneumatic conveying systems, or other pipelines. In addition, they can be installed as a locking device for silo filling pipes.

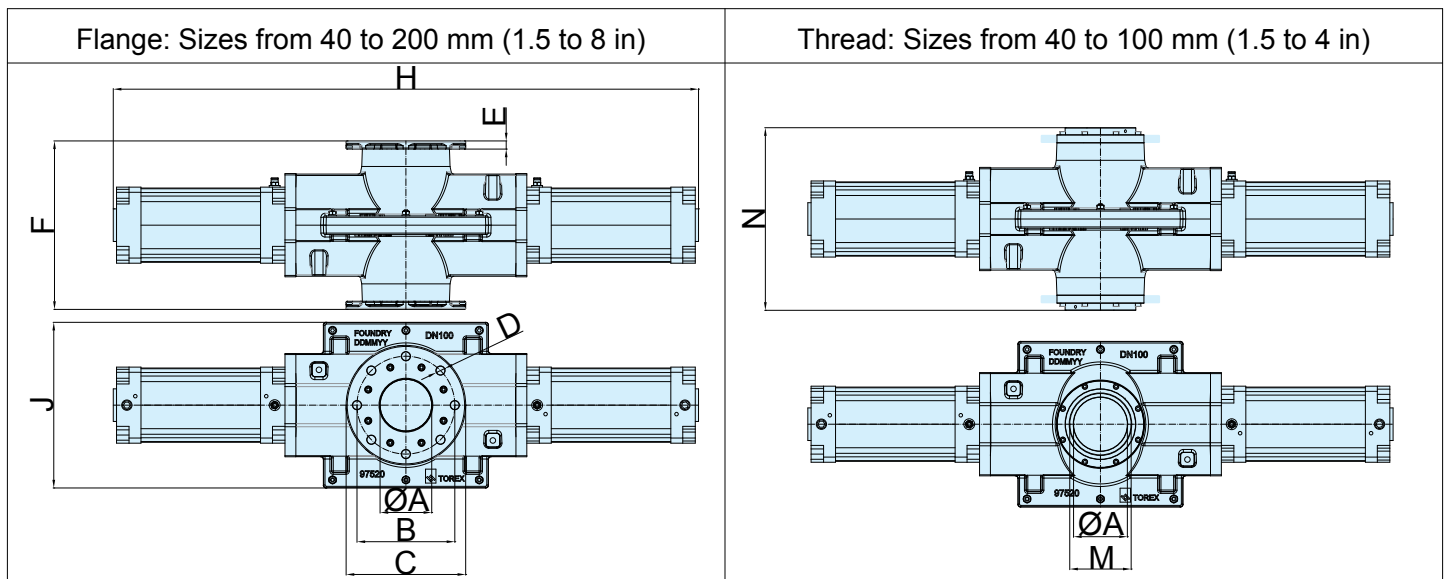
By introducing compressed air into the two single action air cylinders, the internal flexible sleeve is kept open. In case of no presence of air, the cylinders will reshape the sleeve in such a way that the passage is hermetically sealed.

VMM Pinch Valves can equally handle pneumatically conveyed powders, granules, fibres, dense mixtures and liquids.

Features

- Passage Diameter:
40 mm (1 ½") – 50 mm (2") – 65 mm (2 ½") – 80 mm (3") – 100 mm (4") – 125 mm (5") – 150 mm (6") – 200 mm (8")
- Working Temperature: from -20 °C ~ 80 °C (-4 °F ~ 176 °F)
- Ambient Temperature: max. 50 °C (122 °F)
- Pi Internal Max. Pneumatic Conveying System Pressure: 3 bar (43.5 PSI); 2 bar (29 PSI) for VMM 150 and VMM 200
- Pc Closure Control Pressure for Air Cylinders: 7 bar (101.5 PSI)

Overall Dimensions



Size	Flange: Sizes from 40 to 200 mm (1.5 to 8 in)							Thread: Sizes from 40 to 100 mm (1.5 to 4 in)			U.S. Flange			
	A	C	E	F	H	J	N	B	D	Qty. D	M (ISO 228)	B	D (UNF)	Qty. D
40	40	150	12	178	850	210	202	110	M16	4	1 + ½"	-	-	-
50	50	165	15	190	860	225	214	125	M16	4	2"	121	5/8"	4
65	65	185	15	225	880	250	230	145	M16	4	2 + ½"	-	-	-
80	80	200	15	270	1130	280	294	160	M16	4	3"	-	-	-
100	100	220	15	310	1150	305	334	180	M16	8	4"	180	5/8"	8
125	125	250	15	350	1380	370		210	M16	8	-	216	¾"	8
150	150	285	18	396	1410	410		240	M16	8	-	241	¾"	8
200	200	340	25	460	1570	500		295	M16	8	-	-	-	-

Dimensions in mm

Benefits

- ✓ Easy, quick sleeve and bush replacement;
- ✓ Full bore-through passage without any pressure loss;
- ✓ No material contact between casing and material handled;
- ✓ Lightweight in comparison with other makes and other types of valve;
- ✓ Particularly low air consumption;
- ✓ Food-grade contact parts.

1 CASING



Aluminium-cast

2 SLEEVES

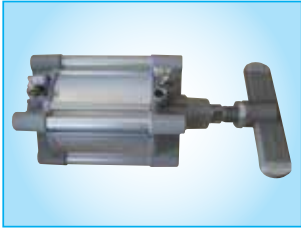


Anti-abrasion natural rubber

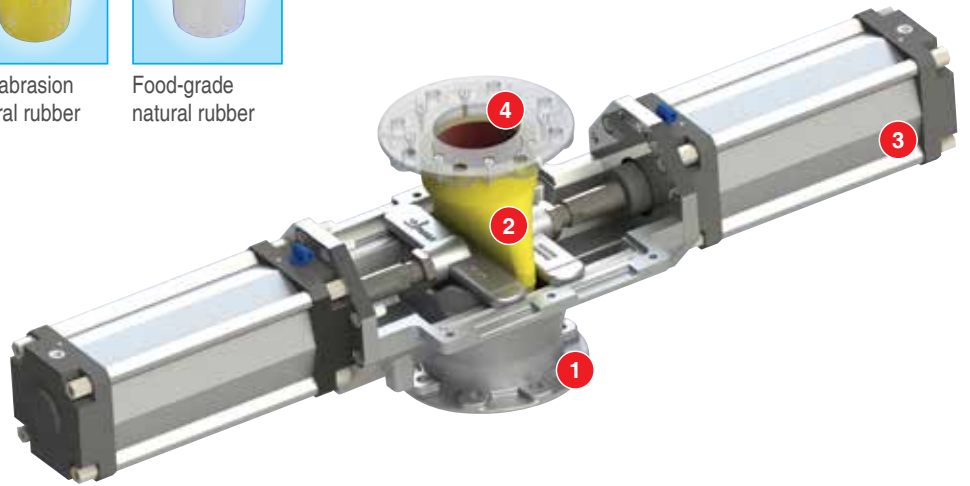


Food-grade natural rubber

3 AIR CYLINDERS

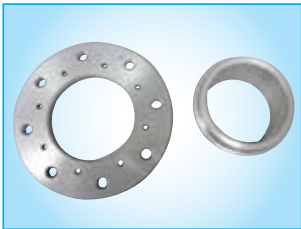


Closure control pressure for AIR cylinders: 7 bar (101.5 PSI)



4 CONNECTIONS

FLANGES AND BUSHES



FLANGES:
- Aluminium

BUSHES:
- Aluminium
- Hardened Steel
- 304 SS

Available for passage diameter from 40 to 200 mm (1.5 to 8 in)

GASKETS



Standard black



Food-grade white

THREADED BUSHES



Available for passage diameter from 40 to 100 mm (1.5 to 4 in)

THREADED BUSHES:
- Aluminium
- Nickel-coated
- 304 SS

Accessories

The Control Panel is designed for:

- Control air supply to "VMM" by solenoid valve;
- Adjusting "VMM" closing pressure;
- Providing information on pressure line to "VMM" by means of a pressure switch.

Control Panel VMX



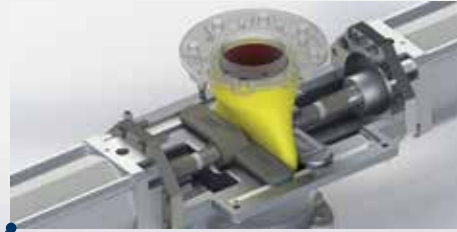
Standard version

Control Panel VMX01M



ATEX-certified Ex II 3D T135°C
Working temperature: -5 ~ 40 °C (23 ~ 104 °F)

Application



VMM Pinch Valves are used for material flow interception in pneumatic conveying systems or other pipelines.

They can also be installed as a locking device for silo filling pipes.



20300170 May 2015 Rights reserved to modify technical specifications.

