

PRTS Primary Belt Cleaner



Multifunctional and Suitable for Heavy Duty Applications

A highly effective and performing tungsten carbide primary belt cleaning blade and tensioning system suitable for the most demanding and heavy duty applications, including quarrying, bulk, sugar and mining and minerals industries.

Each **PRTS Belt Cleaning blade** is equipped with a **Rubber Tension Arm Module (RTAM)** successfully eliminating belt damage and allows for quick-elastic scraping. The RTAM key feature also enables simultaneous absorption of vibration and noise. As well as the ability to quickly return to the original position after passing residues.

The **PRTS Belt Cleaner** is relatively maintenance-free, bypassing any abrasion and belt wear issues commonly experienced with similar blade and tensioning systems on the market.

Key Features

- Each blade is equipped with a Rubber Tension Arm Module (RTAM)
- Excellent elasticity
- Easy visual tension check

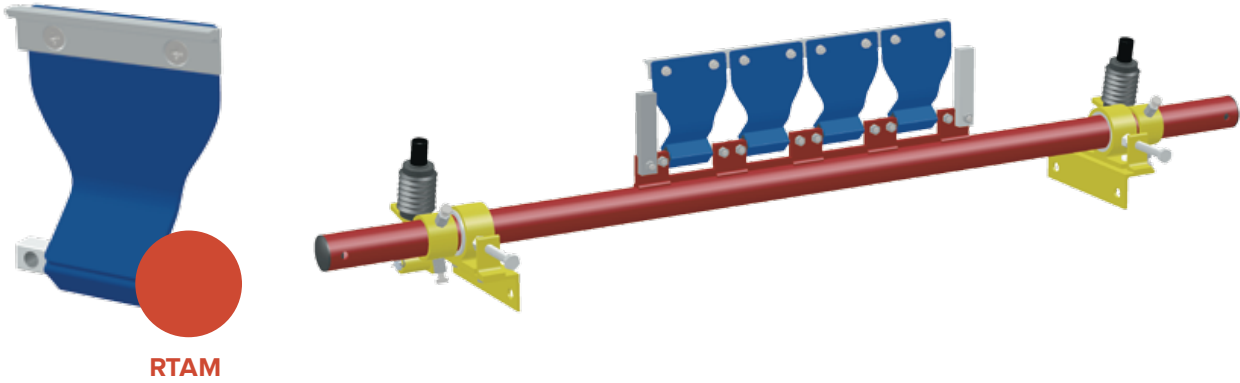
Key Benefits

- Cost saving / lighter blade and spring tension
- Simple and quick installation, adjustment and maintenance

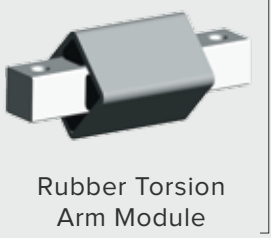
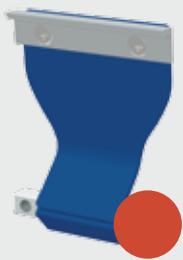
Specifications

Cleaning direction – one direction only
Belt Speed - $\leq 4\text{m/s}$

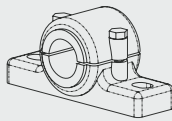
PRTS Primary Belt Cleaner



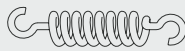
Multifunctional RTAM



bearing function

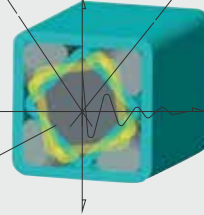


tensioning function

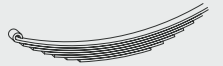


30°

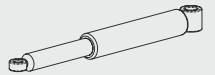
30°



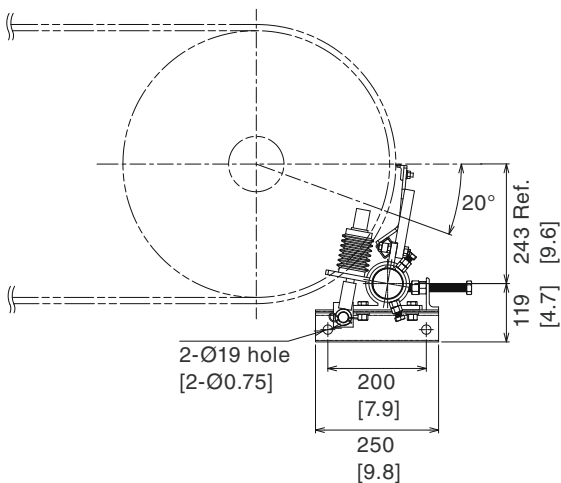
spring function



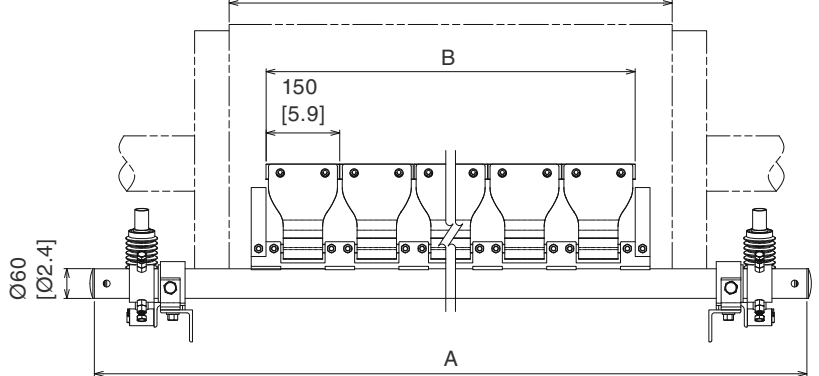
damping function



Running Direction



Belt Width (BW)



Unit: mm [in]